

Right hand piping shown
Left hand opposite

CS-ID MODEL

- 17" Tall, 7.0" Wide (17)

COIL CIRCUITS

- 2 pipe 2 Row (2)
- 4 pipe 2 Row (4)

COIL CAPACITY

- Single circuit coil for 0.5-1.50gpm (S)
- Dual circuit coil for 1.50-2.4gpm (D)

COIL CONNECTIONS

- 5/8" OD (for sweat connection by others) (N)
- 1/2" MNPT (for field connection to 1/2" FNPT fittings) (M)*

INDUCTION SELECTION

- 6R 4R 3R 2R

COIL PIPING HANDING (see page 2 for details)

- Coil Left Hand Side (L) (as shown above)
- Coil Right Hand Side (R) (Coil Opposite Side)

INLET LOCATION (see page 2 for details)

- Left Side (L)
- Right Side (R)
- Front (F)
- Back (B)
- Combo Left and Right (C)

UNIT SIZE (see page 2 for details)

- 2' nom. L = 24" (2FT)
- 3' nom. L = 36" (3FT)
- 4' nom. L = 48" (4FT)
- 5' nom. L = 60" (5FT)
- 6' nom. L = 72" (6FT)

INLET SIZE (see page 2 for details)

- 3" nom. (DØ = 2 7/8" Round)
- 4" nom. (DØ = 3 7/8" Round)
- 5" nom. (DØ = 4 7/8" Oval)

COLOR SELECTION

- No Finish (0)

COIL FINISH

- Self finish (0)
- Flat black (F)*

INSULATION

- No insulation (0)
- External insulation (E)*

INLET SHAPE

- Round (0)
- Oval (V)

MOUNTING BRACKETS

- Fixed (0)

CONDENSATE DRAIN

- With 1/2" Fitting (0)

Tags: QTY: _____

SPECIFICATIONS (also see specification sheet)

- Plenums constructed of 20ga galvanized steel (unfinished)
- Balancing /commissioning port next to inlet
- Vertical discharge grille by others
- Return plenum/ transition, cabinet casing, and grille by others

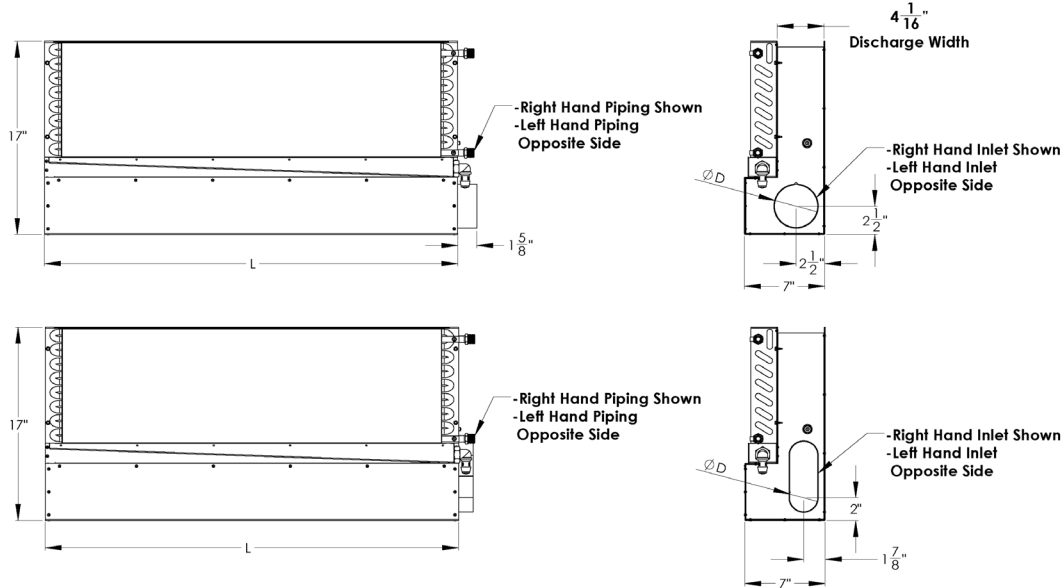
*Indicates an added cost item

- Additional lead time may be required
- Contact Carson Solutions for more information

Project: _____ Submittal Date: _____

Location: _____ Product Code CS-ID_*_*_*_*_*_*_*X*_**_*_*_* Page _____

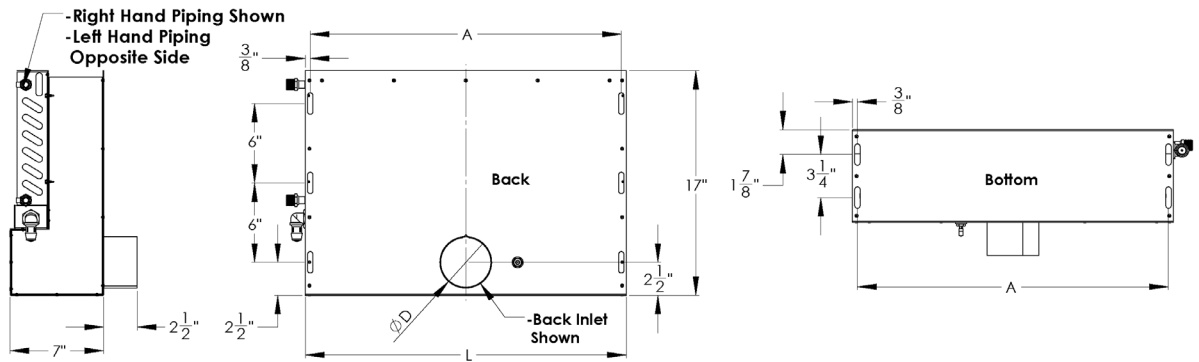
Side Inlet Locations



Back Inlet and Fixed Bracket Mounting Locations

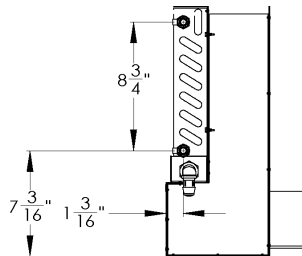
Beam Length	L (in)	A (in)
2'	24	23 1/4
3'	36	35 1/4
4'	48	47 1/4
5'	60	59 1/4
6'	72	71 1/4

Inlet	D (in)
3"	2 3/4
4"	3 3/4
5" Oval	2 1/2 x 6 1/4

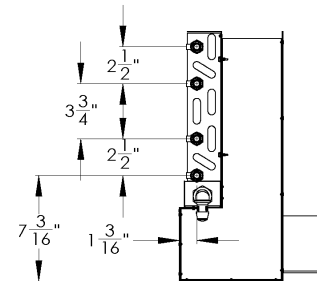


Piping Configurations

-2 Pipe Coil Connections
-Right Hand Piping Shown
-Left Hand Opposite Side



-4 Pipe Coil Connections
-Right Hand Piping Shown
-Left Hand Opposite Side



Project: Carson Samples

Submittal Date: 6/18/2023

Location: Golden Valley, MN

Page 10