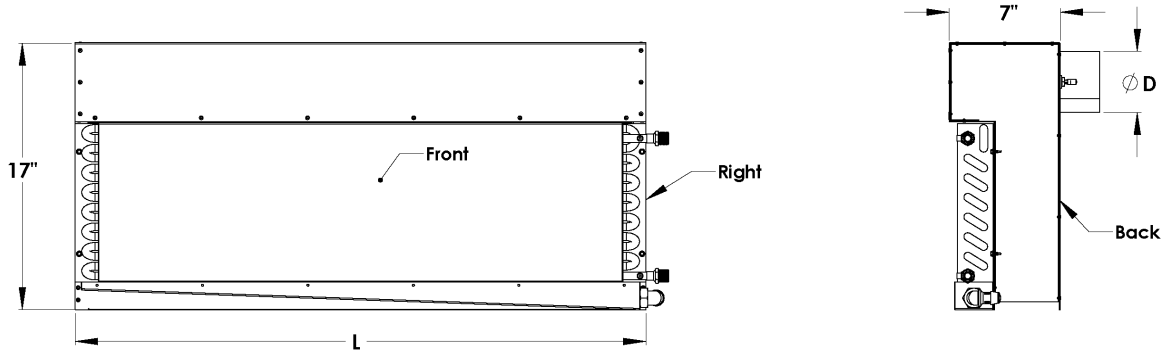


## CB-SV-17

Smart Submittal for Soffit Mounted Vertical Downward Discharge Chilled Beam



### SV MODEL

- 17" Tall, 7.0" Wide (17)

### COIL CIRCUITS

- 2 pipe 2 Row (2)
- 4 pipe 2 Row (4)

### COIL CAPACITY

- Single circuit coil for 0.5-1.50gpm (S)
- Dual circuit coil for 1.50-2.4gpm (D)

### COIL CONNECTIONS

- 5/8" OD (for sweat connection by others) (N)
- 1/2" MNPT (for field connection to 1/2" FNPT fittings) (M)\*

### INDUCTION SELECTION

- 6R 4R 3R 2R
- - 
  - 
  -

### COIL PIPING HANDING (see page 2 for details)

- Coil Left Hand Side (L) (as shown above)
- Coil Right Hand Side (R) (Coil Opposite Side)

### INLET LOCATION (see page 2 for details)

- Left Side (L)
- Right Side (R)
- Front (F)
- Back (B)
- Top (T)
- Combo Left and Right (C)

### UNIT SIZE (see page 2 for details)

- 2' nom. L = 24" (2FT)
- 3' nom. L = 36" (3FT)
- 4' nom. L = 48" (4FT)
- 5' nom. L = 60" (5FT)
- 6' nom. L = 72" (6FT)

### INLET SIZE (see page 2 for details)

- 3" nom. (DØ = 2 7/8" Round)
- 4" nom. (DØ = 3 7/8" Round)
- 5" nom. (DØ = 4 7/8" Oval)

### COLOR SELECTION

- No Finish (0)

### COIL FINISH

- Self finish (0)
- Flat black (F)\*

### INSULATION

- No insulation (0)
- External insulation (E)\*

### INLET SHAPE

- Round (0)
- Oval (V)

### MOUNTING BRACKETS

- Fixed (0)

### CONDENSATE DRAIN

- With 1/2" Fitting (0)

Right hand piping shown  
Left hand opposite

|       |      |  |
|-------|------|--|
| Tags: | QTY: |  |
|       |      |  |

**SPECIFICATIONS** (also see specification sheet)

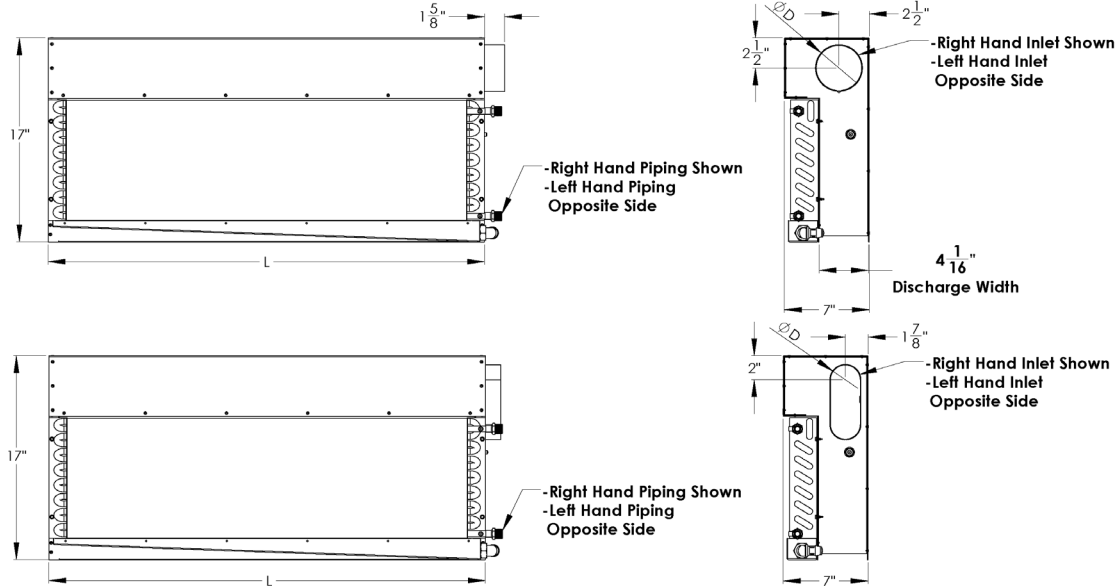
- Plenums constructed of 20ga galvanized steel (unfinished)
- Balancing /commissioning port next to inlet
- Vertical discharge grille by others
- Return plenum/ transition, cabinet casing, and grille by others

**\*Indicates an added cost item**

- Additional lead time may be required
- Contact Carson Solutions for more information

|           |  |
|-----------|--|
| Project:  | Submittal Date:                              |
| Location: | Product Code    CB-SV-*.****.*.*_*X*.*.***** |
| Page      |  |

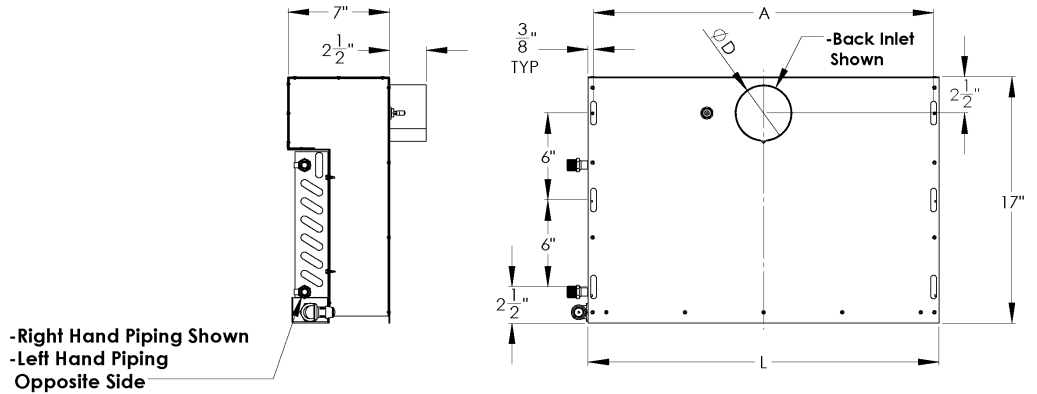
#### Side Inlet Locations



#### Back Inlet and Fixed Bracket Mounting Locations

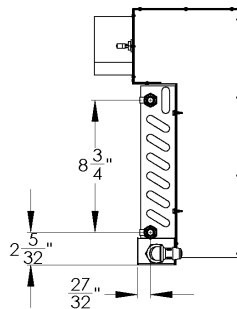
| Beam Length | L (in) | A (in) |
|-------------|--------|--------|
| 2'          | 24     | 23 1/4 |
| 3'          | 36     | 35 1/4 |
| 4'          | 48     | 47 1/4 |
| 5'          | 60     | 59 1/4 |
| 6'          | 72     | 71 1/4 |

| Inlet   | D (in)        |
|---------|---------------|
| 3"      | 2 3/4         |
| 4"      | 3 3/4         |
| 5" Oval | 2 1/2 x 6 1/4 |

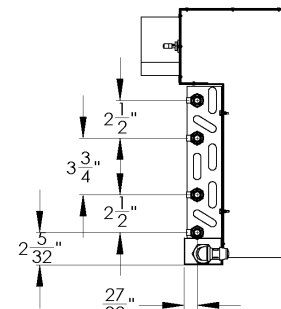


#### Piping Configurations

-2 Pipe Coil Connections  
-Right Hand Piping Shown  
-Left Hand Opposite Side



-4 Pipe Coil Connections  
-Right Hand Piping Shown  
-Left Hand Opposite Side



Project: Carson Samples

Submittal Date: 6/18/2023

Location: Golden Valley, MN

Page 10