

CS-ID MODEL

17" Tall, 7.0" Wide (17)

COIL CIRCUITS

2 pipe 2 Row (2)

4 pipe 2 Row (4)

COIL CAPACITY

Single circuit coil for 0.5-1.50gpm (S)

Dual circuit coil for 1.50-2.4gpm (D)

COIL CONNECTIONS

5/8" OD (for sweat connection by others) (N)

1/2" MNPT (for field connection to 1/2" FNPT fittings) (M)*

INDUCTION SELECTION

6R 4R 3R 2R

COIL PIPING HANDING (see page 2 for details)

Coil Left Hand Side (L) (as shown above)

Coil Right Hand Side (R) (Coil Opposite Side)

INLET LOCATION (see page 2 for details)

Left Side (L)

Right Side (R)

Front (F)

Back (B)

Combo Left and Right (C)

UNIT SIZE (see page 2 for details)

2' nom. L = 24" (2FT)

3' nom. L = 36" (3FT)

4' nom. L = 48" (4FT)

5' nom. L = 60" (5FT)

6' nom. L = 72" (6FT)

INLET SIZE (see page 2 for details)

3" nom. (DØ = 2 3/4" Round)

4" nom. (DØ = 3 3/4" Round)

5" nom. (DØ = 4 3/4" Oval)

COLOR SELECTION

No Finish (0)

COIL FINISH

Self finish (0)

Flat black (F)*

INSULATION

No insulation (0)

External insulation (E)*

INLET SHAPE

Round (0)

Oval (V)

MOUNTING BRACKETS

Fixed (0)

CONDENSATE DRAIN

With 1/2" Fitting (0)

Right hand piping shown
Left hand opposite

Tags: QTY:

SPECIFICATIONS (also see specification sheet)

-Plenums constructed of 20ga galvanized steel (unfinished)

-Balancing /commissioning port next to inlet

-Vertical discharge grille by others

-Return plenum/ transition, cabinet casing, and grille by others

*Indicates an added cost item

-Additional lead time may be required

-Contact Carson Solutions for more information

Project:

Submittal Date:

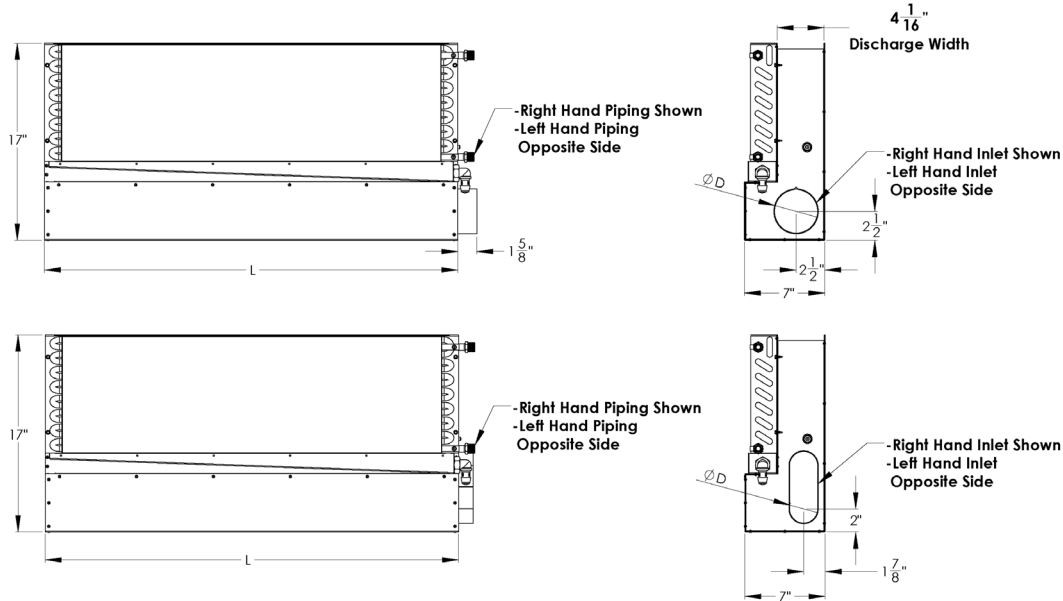
Location:

Product Code

CS-ID-*.****_*.**.*X*.*.****

Page

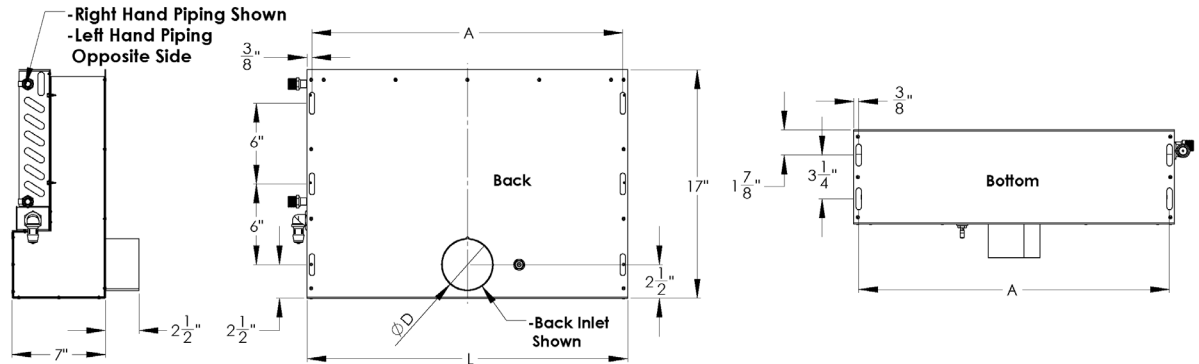
Side Inlet Locations



Back Inlet with Fixed Bracket Mounting Locations

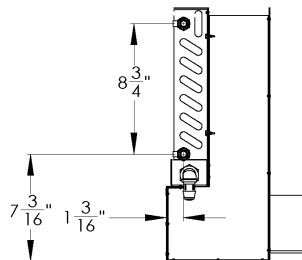
Beam Length	L (in)	A (in)
2'	24	23 1/4
3'	36	35 1/4
4'	48	47 1/4
5'	60	59 1/4
6'	72	71 1/4

Inlet	D (in)
3"	2 3/4
4"	3 3/4
5" Oval	2 1/2 x 6 1/4

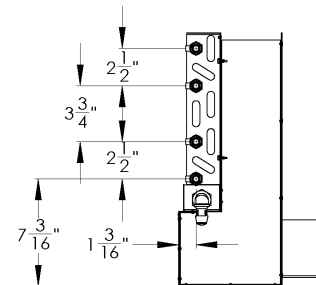


Piping Configurations

-2 Pipe Coil Connections
-Right Hand Piping Shown
-Left Hand Opposite Side



-4 Pipe Coil Connections
-Right Hand Piping Shown
-Left Hand Opposite Side



Project: Carson Samples

Submittal Date: 6/18/2023

Location: Golden Valley, MN

Page 10