

SH MODEL

- 17" Tall, 7.0" Wide (17)

COIL CIRCUITS

- 2 pipe 2 Row (2)
- 4 pipe 2 Row (4)

COIL CAPACITY

- Single circuit coil for 0.5-1.50gpm (S)
- Dual circuit coil for 1.50-2.4gpm (D)

COIL CONNECTIONS

- 5/8" OD (for sweat connection by others) (N)
- 1/2" MNPT (for field connection to 1/2" FNPT fittings) (M)*

INDUCTION SELECTION

- 6R 4R 3R 2R
- -
 -
 -

COIL PIPING HANDING (see page 2 for details)

- Coil Left Hand Side (L) (as shown above)
- Coil Right Hand Side (R) (Coil Opposite Side)

INLET LOCATION (see page 2 for details)

- Left Side (L)
- Right Side (R)
- Front (F)
- Back (B)
- Top (T)
- Combo Left and Right (C)

UNIT SIZE (see page 2 for details)

- 2' nom. L = 24" (2FT)
- 3' nom. L = 36" (3FT)
- 4' nom. L = 48" (4FT)
- 5' nom. L = 60" (5FT)
- 6' nom. L = 72" (6FT)

INLET SIZE (see page 2 for details)

- 3" nom. (DØ = 2 7/8" Round)
- 4" nom. (DØ = 3 3/8" Round)
- 5" nom. (DØ = 4 1/4" Oval)

COLOR SELECTION

- No Finish (0)

COIL FINISH

- Self finish (0)
- Flat black (F)*

INSULATION

- No insulation (0)
- External insulation (E)*

INLET SHAPE

- Round (0)
- Oval (V)

MOUNTING BRACKETS

- Fixed (0)

NO CONDENSATE DRAIN

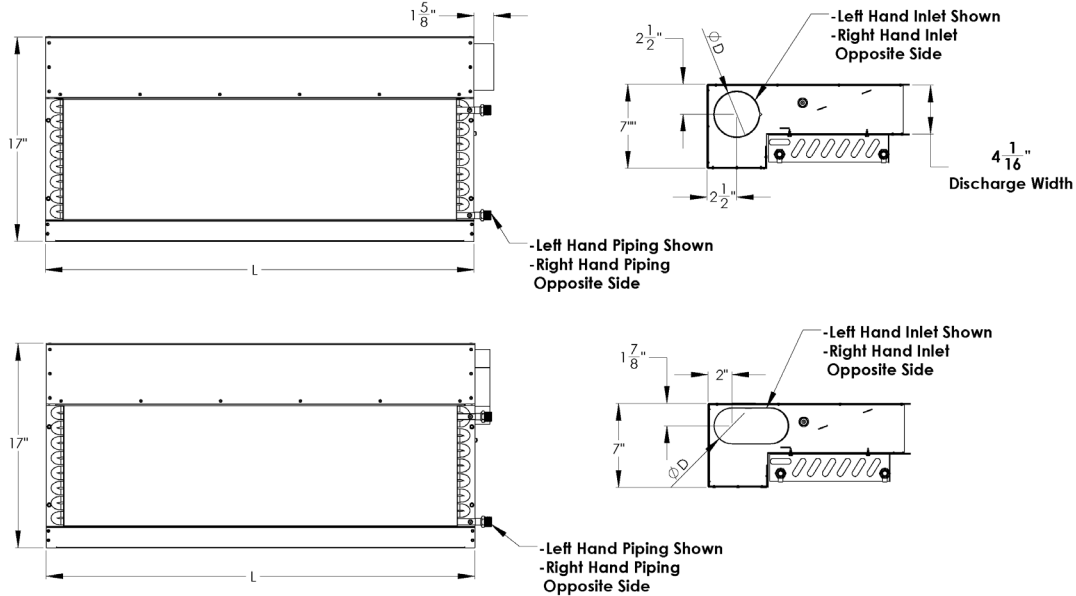
- No Tray or Drain (0)

Left hand piping shown
Right hand opposite

Tags:	QTY:		SPECIFICATIONS (also see specification sheet)
			-Plenums constructed of 20ga galvanized steel (unfinished) -Balancing /commissioning port next to inlet -Horizontal discharge grille by others -Return plenum/ transition and grille by others *Indicates an added cost item -Additional lead time may be required -Contact Carson Solutions for more information

Project: _____		Submittal Date: _____
Location: _____	Product Code CB-SH-*.****.*_*_*X*_*_*****	Page _____

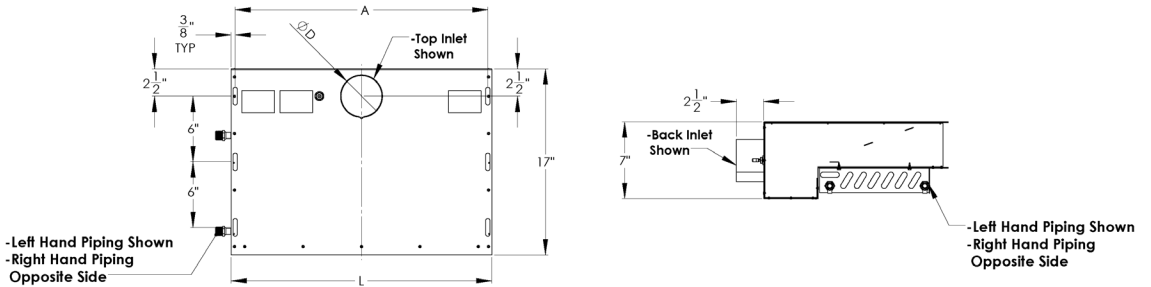
Side Inlet Locations



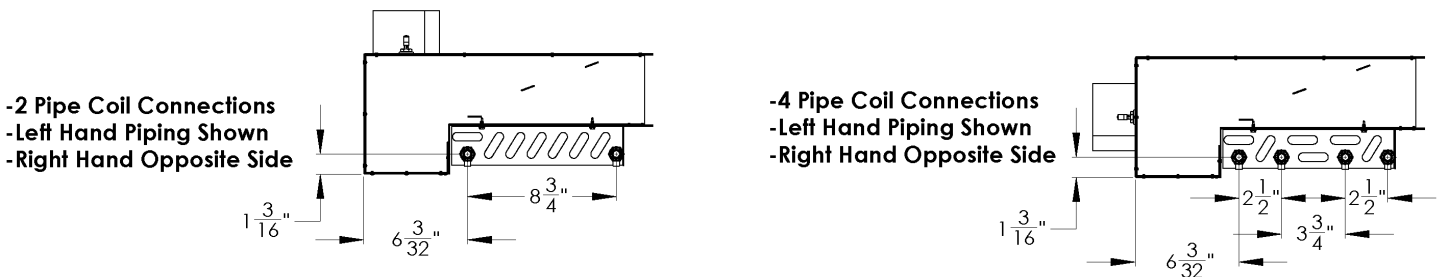
Back and Top Inlets with Fixed Bracket Mounting Locations

Beam Length	L (in)	A (in)
2'	24	23 1/4
3'	36	35 1/4
4'	48	47 1/4
5'	60	59 1/4
6'	72	71 1/4

Inlet	D (in)
3"	2 3/4
4"	3 3/4
5" Oval	2 1/2 x 6 1/4



Piping Configurations



Project: Carson Samples

Submittal Date: 6/18/2023

Location: Golden Valley, MN

Page 10