

**HANDING OPTIONS**

**PRIMARY AIR CONNECTION**

- Left Side W/Notched Panel
- Left Top
- Right Side W/Notched Panel
- Right Top

**SECONDARY AIR CONNECTION**

- None
- Left Side
- Right Side

**WATER CONNECTION**

- Left Side
- Right Side

**OPTIONAL SIDE PANEL NOTCH FOR PIPING**

- Notched piping panel both sides (N)
- Left side notched piping panel for LX & RX only (L)
- Right side notched piping panel for LX & RX only (R)

**COIL CIRCUITRY**

- 2 pipe 2 Row (2)
- 4 pipe 2 Row (4)

**COIL CONNECTION**

- 1/2" MNPT (for field connection to 1/2" FNPT fittings) (M)
- No selection (1/2" bare copper pipe) (N)

**SIZE**

**LENGTH**

- Size 1500 L= 67 3/4"
- Size 2000 L = 87 7/16"

**DEPTH**

- 13 1/2" (V) W= 13 1/2"
- 16 5/8" (S) W= 16 5/8"
- 13 1/2" (R) W= 13 1/2"

**INLET SIZE**

- 6" nom. (6) DØ = 5 5/8"
- 8" nom. (8) DØ = 7 1/8"

**CABINET OPTIONS**

(see page 2 for details)

- Cabinet by Other (0)
- Cabinet with Louvered Face Panels (L) (as shown)
- Cabinet with Perforated Face Panels\* (P)

**CABINET FINISH**

- White (1)
- NLA (2)
- Gray (3)
- Dark Gray (4)
- NLA (5)
- Ivory (6)
- Other\* (PX - Must Specify)

**REAR HEATER**

(see page 2 for details)

- No Rear Heater (as shown above) (0)
- Rear Heater Casing\* (Requires 16 5/8" Depth Cabinet) (H)

**INTERNAL FINISH**

- Galvanized Steel Finish (0)
- Internals Painted Black\* (F)

**INSULATION**

- No Insulation (Standard) (0)
- Internal Insulation\* (I)
- External Insulation\* (E)

**CONDENSATE TRAY OPTION**

- CRS Powdercoat (0)
- Stainless Steel\* (S)

**BASE/KICKPLATE OPTIONS**

- Kickplate same finish as Casing (0)
- Black Painted Kickplate\* (K)
- No Base - Field Supplied (N)

**Float switch**

- No Float Switch (0)
- With Float Switch and Terminal Block\* (F)

Notes: QTY:

**Special Notes**

**SPECIFICATIONS**

-Cabinets constructed of steel and finished with powdercoat paint  
 -Internal components constructed of 20ga galvanized steel (unfinished)  
 -Units include integral drain pan with 3/8" OD copper condensate drain pipe, caps or piping as needed to be supplied by installing contractor

\*Indicates an added cost item

-Additional lead time may be required  
 -Contact Carson Solutions for more information

Project:

Submittal Date:

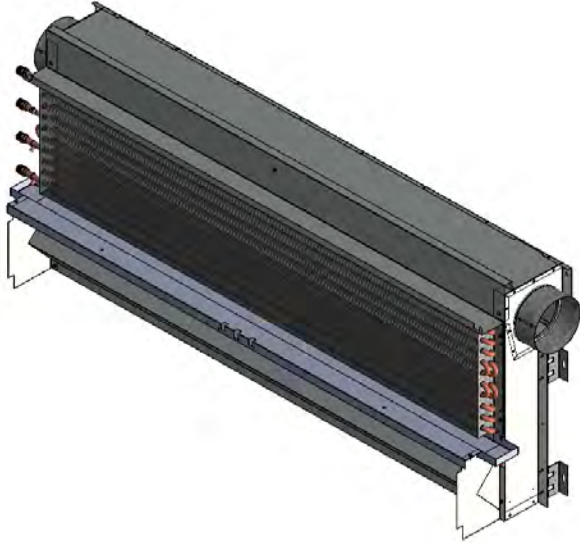
Location:

Product Code QLCI- U2M-UL - x x - -

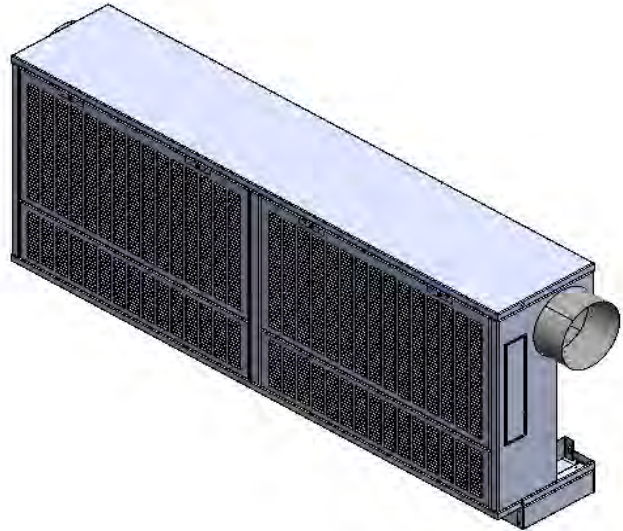
Page

**QLCI Cabinet Options**

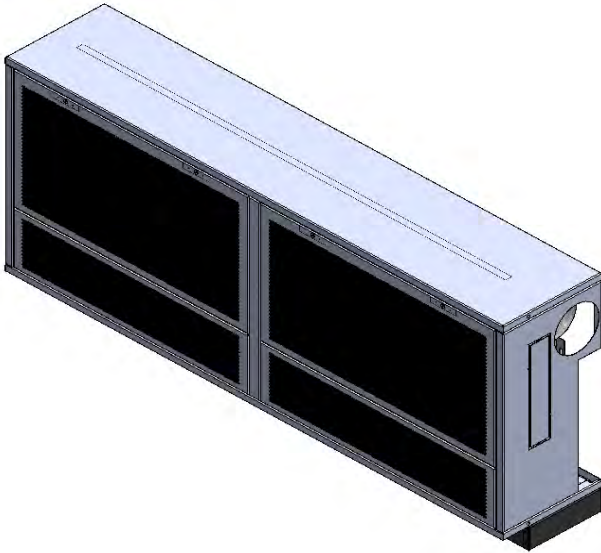
Cabinet by Others (O)



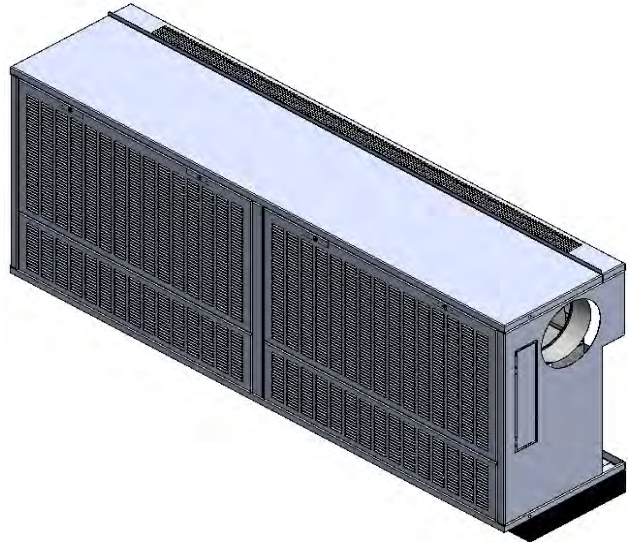
Cabinet by Carson Solutions - Louvered Panels (L)

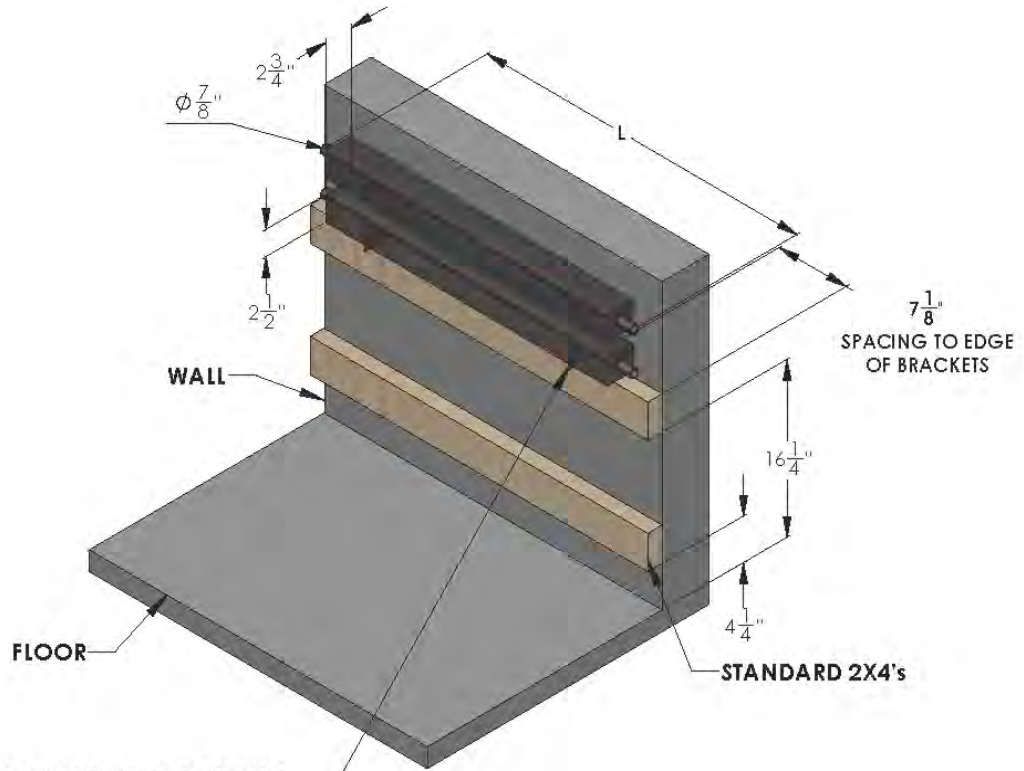


Cabinet by Carson Solutions - Perforated Panels (P)



Cabinet by Carson Solutions - Louvered Panels (L) & Rear Heat (H)





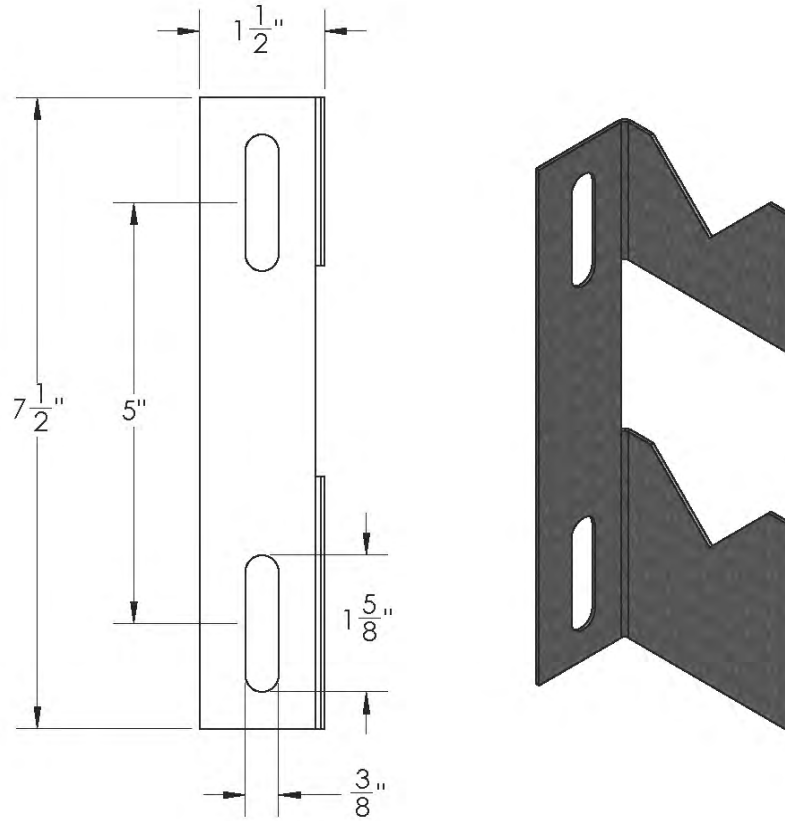
USE QLCI-HC-MT  
SUBMITTAL  
2 QLCI-HC-MT's REQUIRED FOR 3ft-4ft LENGTHS  
3 QLCI-HC-MT's REQUIRED FOR 5ft-8ft LENGTHS  
per FTH KIT

<b>Tags:</b>	<b>QTY:</b>
<b>Special Notes</b>	
<b>SPECIFICATIONS</b>	
-Each kit comes with two H-3 Fin Tube Coils -Each kit requires 2 or 3 QLCI-HC-MT brackets -Use QLCI-HC-MT submittal to order brackets -Wall mounting hardware by Others	

**LENGTH (L)**

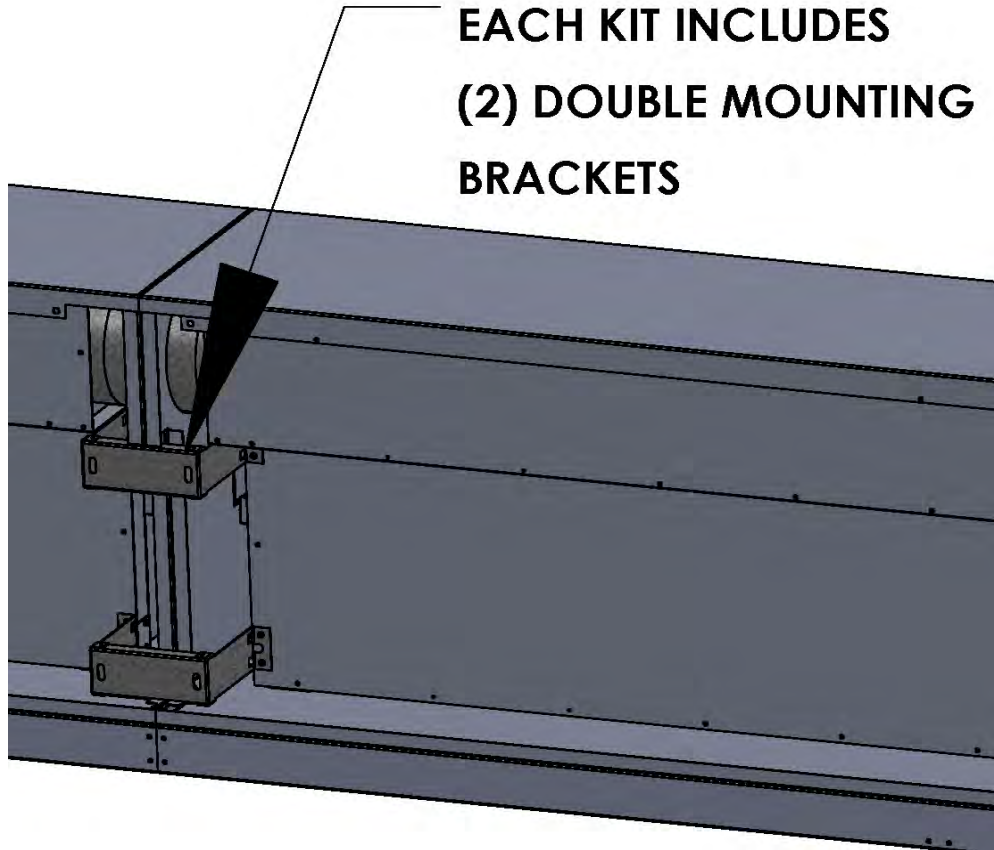
- Length 3FT
- Length 4FT
- Length 5FT
- Length 6FT
- Length 7FT
- Length 8FT

Project: _____	Submittal Date: _____
Location: _____	Product Code FTH-____ Page



<b>Tags:</b>	<b>QTY:</b> 2
<b>Special Notes</b>	3ft-4ft FTH require 2 brackets 5ft-8ft FTH require 3 brackets
<b>SPECIFICATIONS</b>	
<ul style="list-style-type: none"> <li>-Total of brackets shipped together in same box</li> <li>-Total of QLCI-HC-MT brackets to be it's own line item on PO</li> <li>-18ga Galv construction</li> <li>-Wall mounting hardware by Others</li> </ul>	

Project: _____	Submittal Date: _____
Location: _____	Product Code <b>QLCI-HC-MT</b> <span style="float: right;">Page</span>



**EACH KIT INCLUDES  
(2) DOUBLE MOUNTING  
BRACKETS**

Tags: QTY:

**DEPTH (W)**

- 13½" (R)
- 16⅝" (S or H)

Special Notes

**SPECIFICATIONS**  
 -Constructed of 16ga Galvanized Steel  
 -Mounting brackets for assembling multiple QLCI units together before putting them up against the wall  
 -Allows piping to be connected and attached to the back of the QLCI's

**\*Indicates an added cost item.**  
 -Additional lead time may be required  
 -Contact Carson Solutions for more information  
 \*\*\*Custom sizes available\*\*\*

Project: \_\_\_\_\_

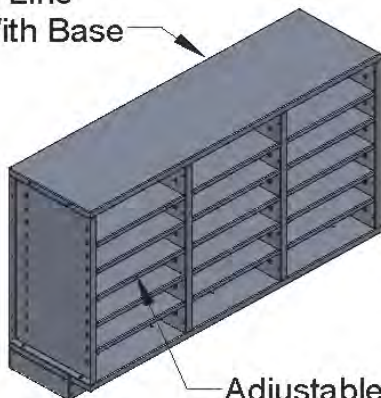
Submittal Date: \_\_\_\_\_

Location: \_\_\_\_\_

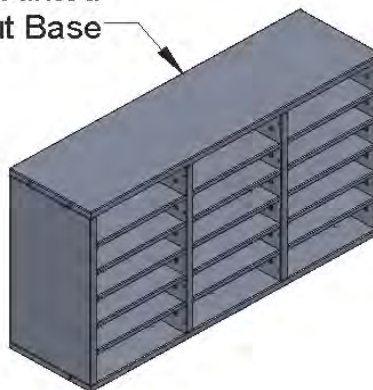
Product Code DB-MB-\_\_

Page \_\_\_\_\_

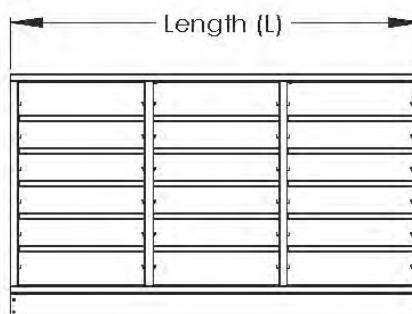
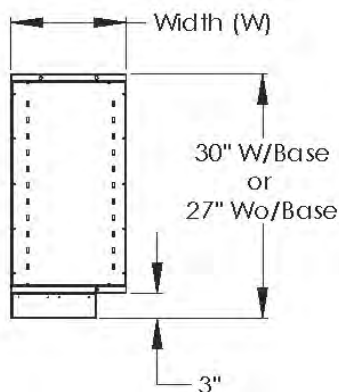
CHS  
In-Line  
With Base



CHS  
Top Mounted  
Without Base



Adjustable Shelves



Tags: QTY:

Special Notes

**SPECIFICATIONS**

-Cabinets constructed of 16ga steel and finished with powdercoat paint  
 -15 Adjustable shelves, Maximum of 18 cubby holes  
 -CHS with base can be mounted in-line with QLCI's  
 -CHS without base can be mounted on top of another cabinet

**\*Indicates an added cost item.**

-Additional lead time may be required  
 -Contact Carson Solutions for more information  
 \*\*\*Custom sizes available\*\*\*

**LENGTH (L)**

- Size 48"
- Size 60"

**DEPTH (W)**

- 13½" (R)
- 16½" (S)

**CABINET FINISH**

- White (1)
- Gray (3)
- NLA (5)
- Other\* (PX - Must Specify)
- NLA (2)
- Dark Gray (4)
- Ivory (6)

**BASE/KICKPLATE OPTIONS**

- Kick plate same finish as Casing (0)
- Black Painted Kick plate\* (K)
- No Base - Stand alone or sits on top of casing (N)

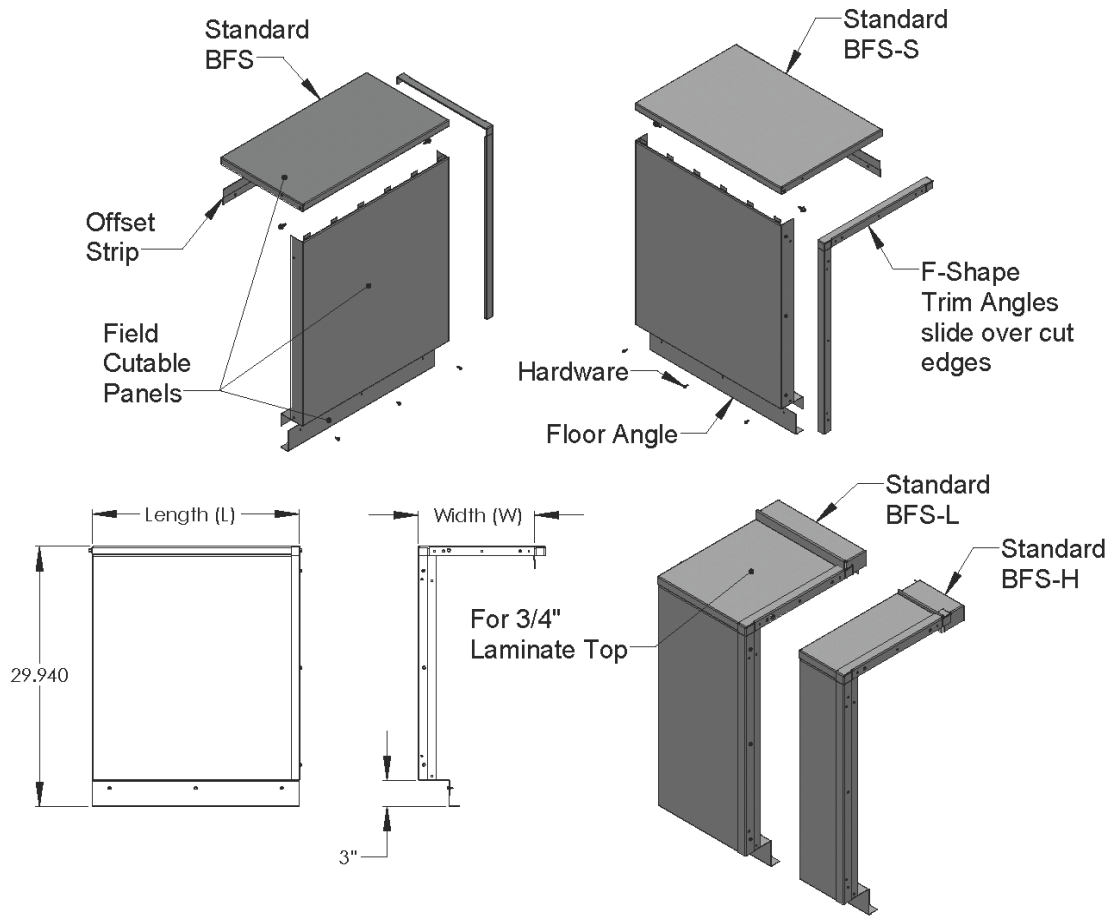
Project: \_\_\_\_\_

Submittal Date: \_\_\_\_\_

Location: \_\_\_\_\_

Product Code CHS- \_ \_ \_ \_

Page



Tags: QTY:

Special Notes

**SPECIFICATIONS**  
 -Cabinets constructed of 16ga steel and finished with powdercoat paint  
 -Horizontal fill section for use with QLCI, field cutable  
 -Includes floor angle, wall offset strip, and hardware

**\*Indicates an added cost item.**  
 -Additional lead time may be required  
 -Contact Carson Solutions for more information  
 \*\*\*Custom sizes available\*\*\*

**LENGTH (L)**

- Size 6"  Size 36"
- Size 12"  Size 42"
- Size 18"  Size 48"
- Size 24"  Size 60"
- Size 30"

**DEPTH (W)**

- 13½" (R)  16⅝" (H) Rear Heat
- 16⅝" (S)  16⅝" (L) Rear Heat for Laminate Top

**CABINET FINISH**

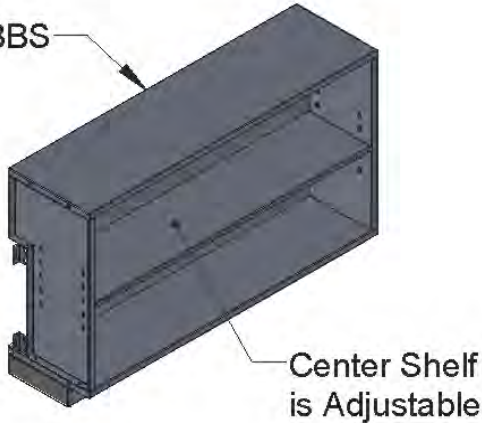
- White (1)  Gray (3)  NLA (5)  Other\* (PX - Must Specify)
- NLA (2)  Dark Gray (4)  Ivory (6)

**BASE/KICKPLATE OPTIONS**

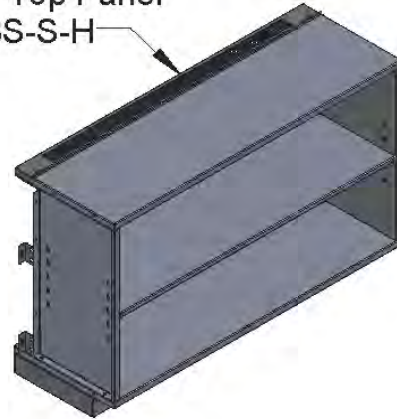
- Kick plate same finish as Casing (0)
- Black Painted Kick plate\* (K)
- No Base - Field Supplied (N)

Project: \_\_\_\_\_ Submittal Date: \_\_\_\_\_  
 Location: \_\_\_\_\_ Product Code BFS- \_ \_ \_ \_ Page

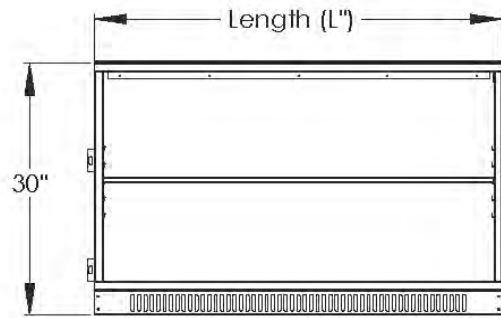
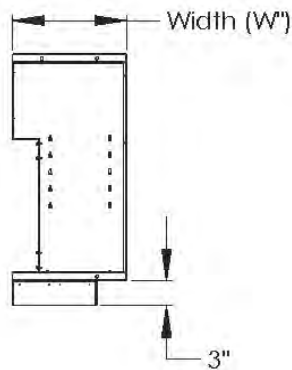
Standard BBS



Removable Rear Heater Top Panel For BBS-S-H



Center Shelf is Adjustable



Tags: QTY:

Special Notes

**SPECIFICATIONS**

- Cabinets constructed of 16ga steel and finished with powdercoat paint
- Both ends notched for pipework passage
- Adjustable center shelf

**\*Indicates an added cost item**

- Additional lead time may be required
- Contact Carson Solutions for more information
- \*\*\*Custom sizes available\*\*\*

**LENGTH (L)**

- Size 24"
- Size 30"

- Size 36"
- Size 42"
- Size 48"

**DEPTH (W)**

- 13½" (R)
- 16½"\* (S)

- 13½" (V)

**REAR HEATER**

- No Rear Heater (as shown above) (0)
- Rear Heater Casing\* (Requires 16½" Depth Cabinet) (H)

**CABINET FINISH**

- White (1)
- Gray (3)
- NLA (5)
- Other\* (PX - Must Specify)
- NLA (2)
- Dark Gray (4)
- Ivory (6)

**BASE/KICKPLATE OPTIONS**

- Kick plate same finish as Casing (0)
- Black Painted Kick plate\* (K)
- No Base - Field Supplied (N)

Project: \_\_\_\_\_

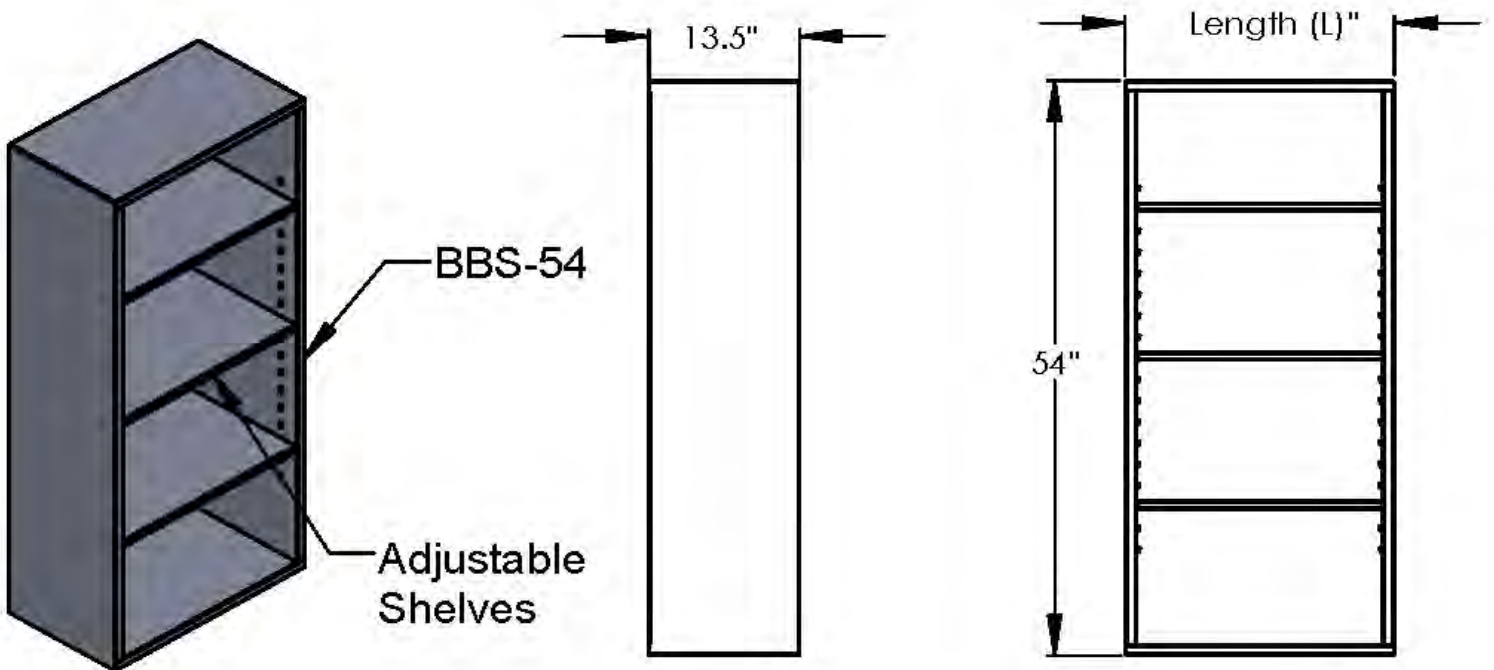
Submittal Date: \_\_\_\_\_

Location: \_\_\_\_\_

Product Code BBS- \_ \_ \_ \_

Page





<b>Tags:</b>	<b>QTY:</b>

<b>Special Notes</b>	
----------------------	--

**SPECIFICATIONS**

- Cabinets constructed of 16ga steel and finished with powdercoat paint
- Place on top of other 30" tall cabinets
- Adjustable center shelf
- Attached to back wall

**\*Indicates an added cost item**

- Additional lead time may be required
- Contact Carson Solutions for more information
- \*\*\*Custom sizes available\*\*\*

**LENGTH (L)**

Size 24"       Size 36"

Size 30"       Size 42"

Size 48"

**DEPTH (W)**

13½" (R)

**REAR HEATER**

No Rear Heater (as shown above) (0)

**CABINET FINISH**

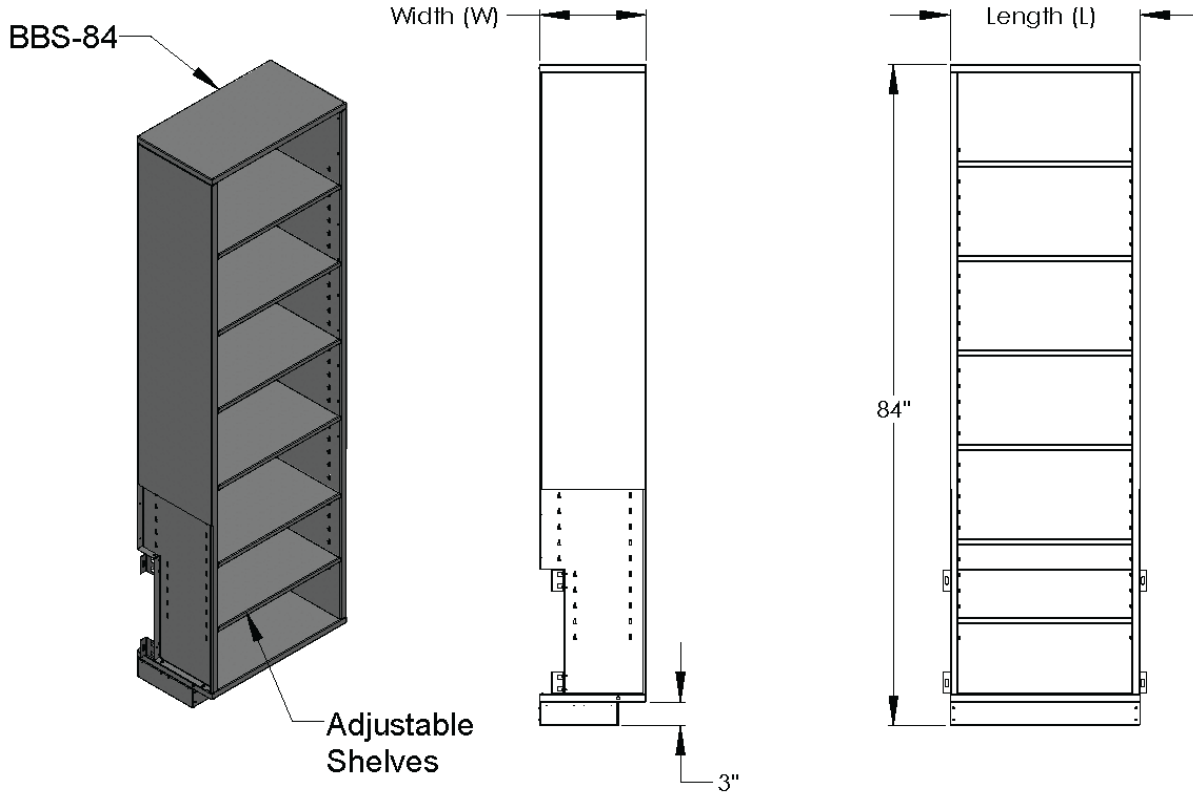
White (1)     Gray (3)     NLA (5)     Other\* (PX - Must Specify)

NLA (2)     Dark Gray (4)     Ivory (6)

**BASE/KICKPLATE OPTIONS**

No Base - Field Supplied (N)

Project: _____	Submittal Date: _____
Location: _____	Product Code BBS-54- _ _ _ _ _



Tags: QTY:

Special Notes

**SPECIFICATIONS**

- Cabinets constructed of 16ga steel and finished with powdercoat paint
- Both ends notched for pipework passage
- Adjustable center shelf

**\*Indicates an added cost item**

- Additional lead time may be required
- Contact Carson Solutions for more information
- \*\*\*Custom sizes available\*\*\*

**LENGTH (L)**

- Size 24"
- Size 30"

- Size 36"
- Size 42"
- Size 48"

**DEPTH (W)**

- 13½" (R)
- 16½" (S)

**REAR HEATER**

- No Rear Heater (as shown above) (0)

**CABINET FINISH**

- White (1)
- Gray (3)
- NLA (5)
- Other\* (PX - Must Specify)
- NLA (2)
- Dark Gray (4)
- Ivory (6)

**BASE/KICKPLATE OPTIONS**

- Kick plate same finish as Casing (0)
- Black Painted Kick plate\* (K)
- No Base - Field Supplied (N)

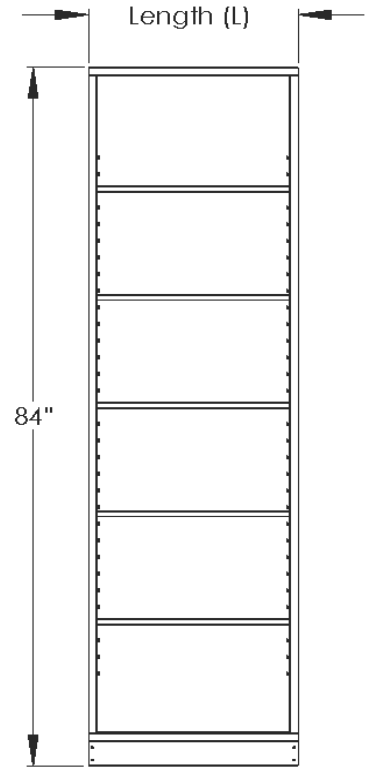
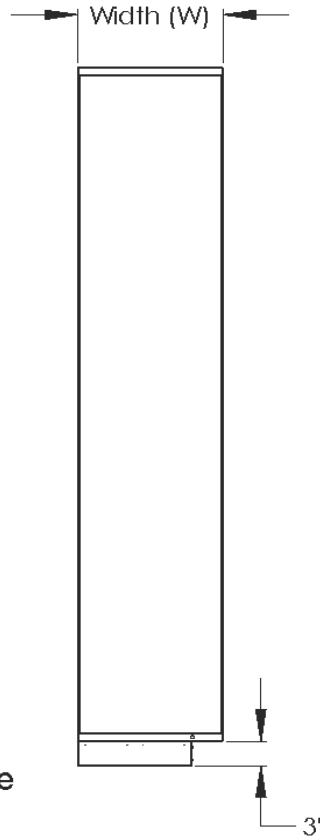
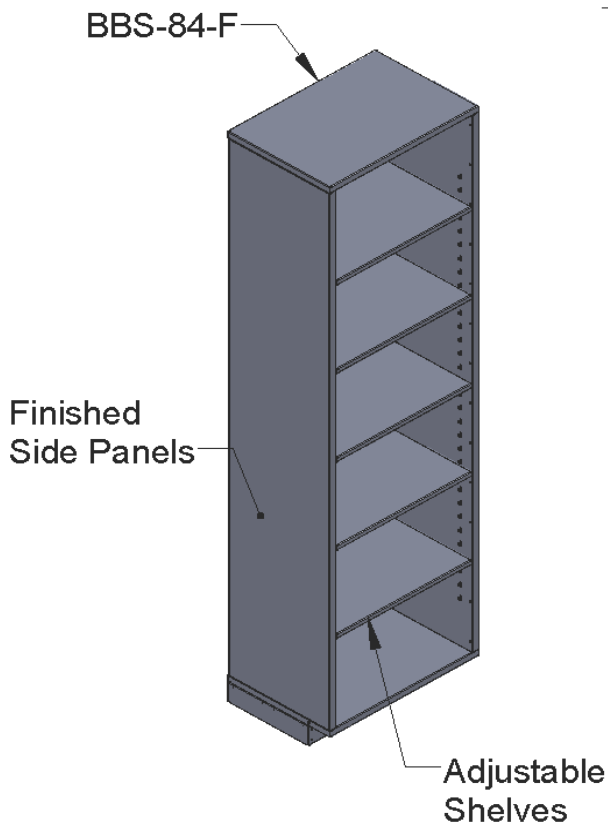
Project: \_\_\_\_\_

Submittal Date: \_\_\_\_\_

Location: \_\_\_\_\_

Product Code BBS-84- - - - -

Page



Tags: QTY:

Special Notes

**SPECIFICATIONS**

- Cabinets constructed of 16ga steel and finished with powdercoat paint
- Both ends notched for pipework passage
- Adjustable center shelf

**\*Indicates an added cost item**

- Additional lead time may be required
- Contact Carson Solutions for more information
- \*\*\*Custom sizes available\*\*\*

**LENGTH (L)**

- Size 24"
- Size 30"

- Size 36"
- Size 42"
- Size 48"

**DEPTH (W)**

- 13½" (R)
- 16½" (S)

**REAR HEATER**

- No Rear Heater (as shown above) (0)

**CABINET FINISH**

- White (1)
- Gray (3)
- NLA (5)
- Other\* (PX - Must Specify)
- NLA (2)
- Dark Gray (4)
- Ivory (6)

**BASE/KICKPLATE OPTIONS**

- Kick plate same finish as Casing (0)
- Black Painted Kick plate\* (K)
- No Base - Field Supplied (N)

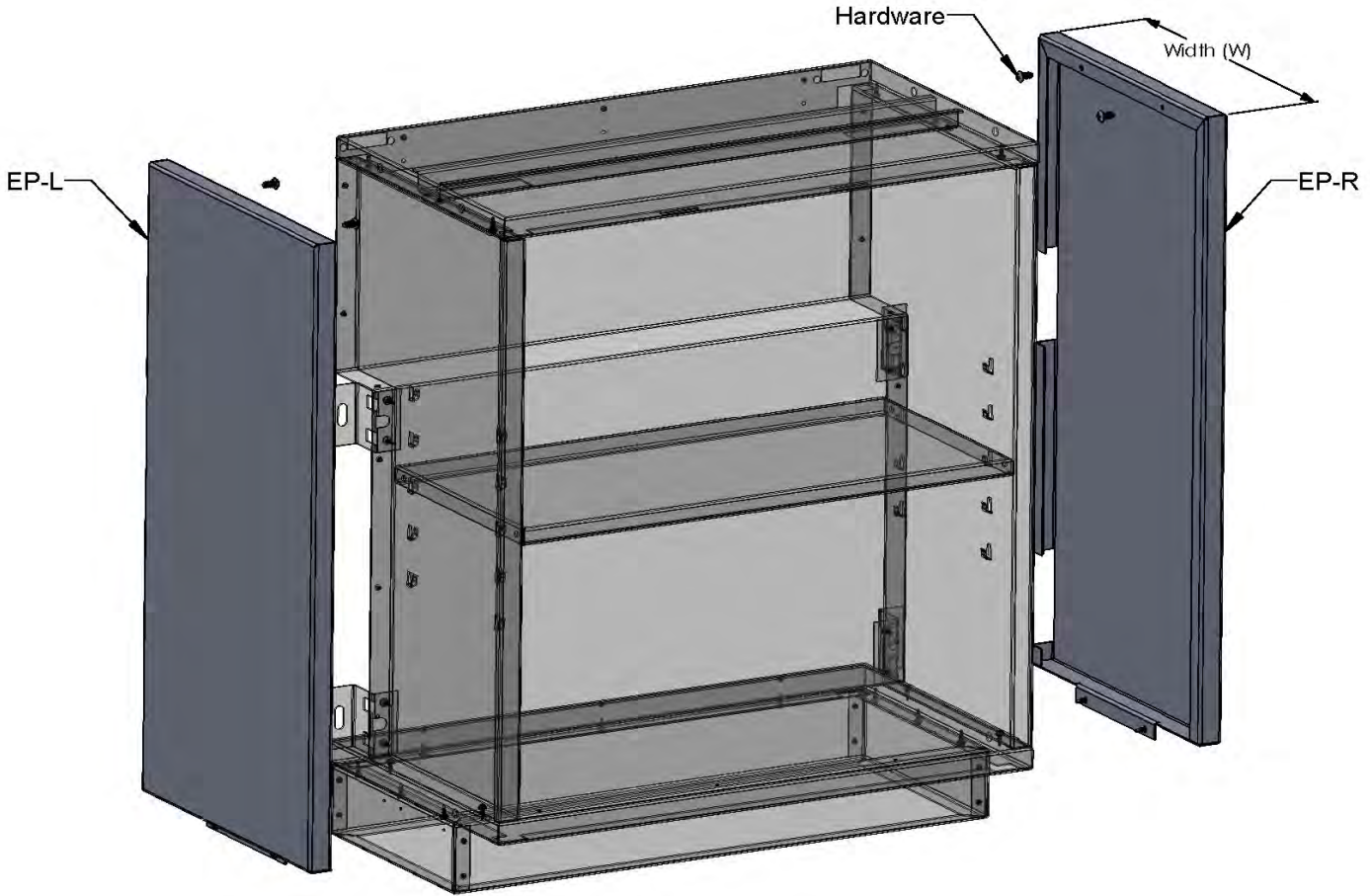
Project: \_\_\_\_\_

Submittal Date: \_\_\_\_\_

Location: \_\_\_\_\_

Product Code BBS-84-F- - - - -

Page



Tags: QTY:

--

Special Notes

--

**SPECIFICATIONS**

- End Panels constructed of 16ga steel and finished with powdercoat paint
- For use to cap off BBS's or DBS's units at the end of a run
- Can also be used to cap off EP's and or QLCI's
- Mounting hardware included

**\*Indicates an added cost item.**

- Additional lead time may be required
- Contact Carson Solutions for more information

\*\*\*Custom sizes available\*\*\*

**DEPTH (W)**

- 13½" (R)
- 16⅝" (S)

**Handing**

- Left (L)
- Right (R)

**CABINET FINISH**

- |                                    |  |                                    |   |
|------------------------------------|--|------------------------------------|---|
| <input type="checkbox"/> White (1) | <input type="checkbox"/> Gray (3)      | <input type="checkbox"/> NLA (5)   | <input type="checkbox"/> Other* (PX - Must Specify) |
| <input type="checkbox"/> NLA (2)   | <input type="checkbox"/> Dark Gray (4) | <input type="checkbox"/> Ivory (6) |   |

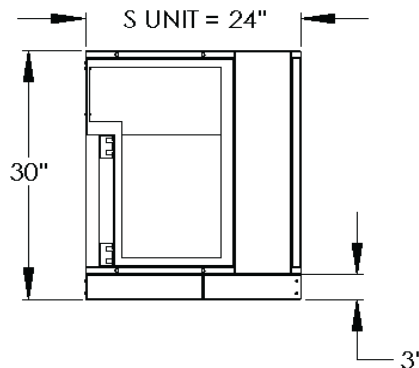
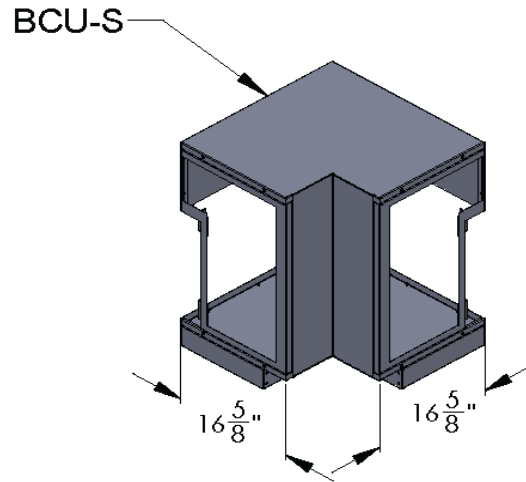
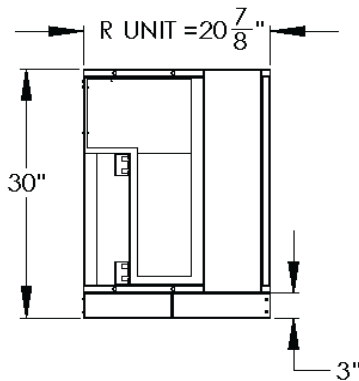
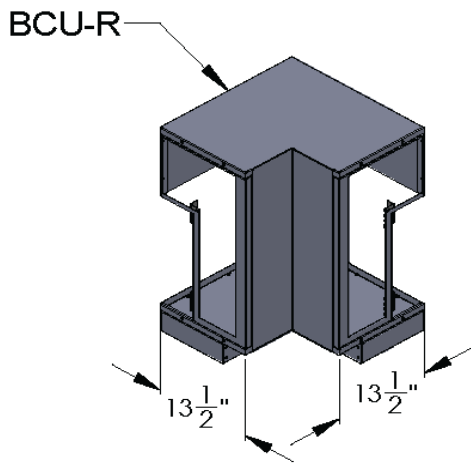
Project: \_\_\_\_\_

Submittal Date: \_\_\_\_\_

Location: \_\_\_\_\_

Product Code EP- \_ \_ \_

Page \_\_\_\_\_



Tags: QTY:

Special Notes

**SPECIFICATIONS**

-Cabinets constructed of 16ga steel and finished with powdercoat paint  
 -Both ends notched for pipework passage, side entry  
 -Removable access door for access to piping and ductwork feeding adjacent QLCI terminals

**\*Indicates an added cost item.**

-Additional lead time may be required  
 -Contact Carson Solutions for more information  
 \*\*\*Custom sizes available\*\*\*

**DEPTH (W)**

- 13 1/2" (R)
- 16 5/8" (S)

**REAR HEATER (Not Available)**

- No Rear Heater (as shown above) (0)

**CABINET FINISH**

- White (1)
- Gray (3)
- NLA (5)
- Other\* (PX - Must Specify)
- NLA (2)
- Dark Gray (4)
- Ivory (6)

**BASE/KICKPLATE OPTIONS**

- Kick plate same finish as Casing (0)
- Black Painted Kick plate\* (K)
- No Base - Field Supplied (N)

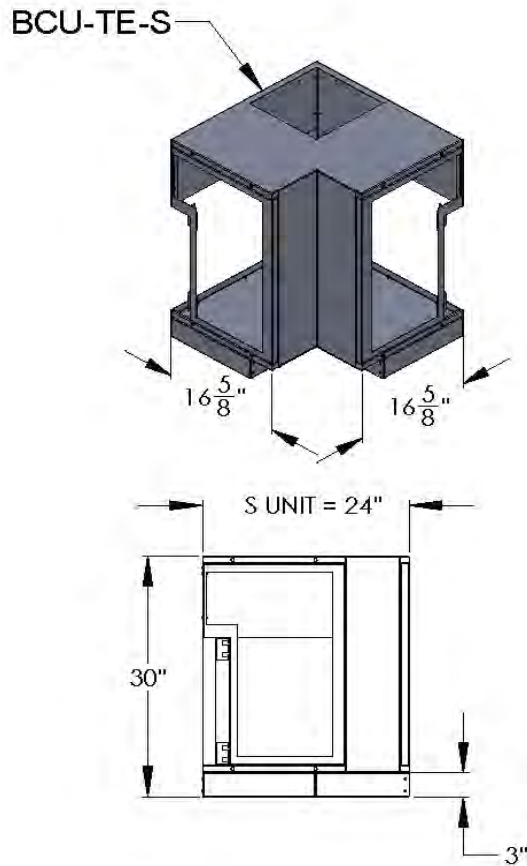
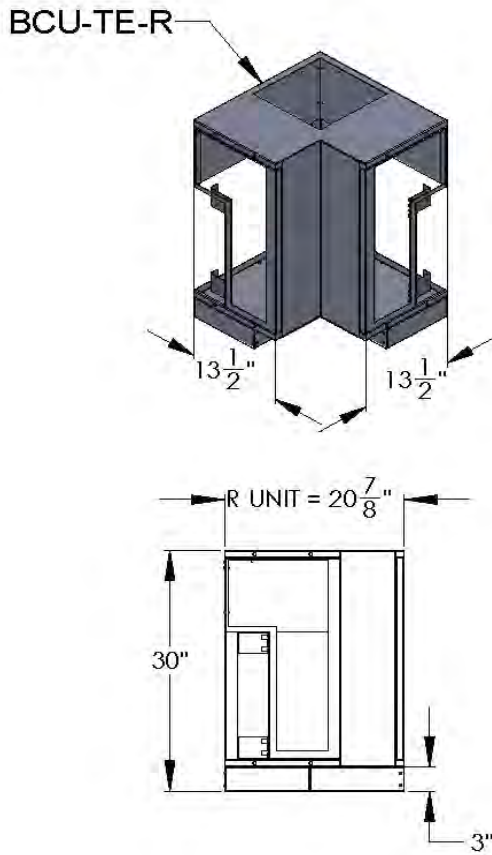
Project: \_\_\_\_\_

Submittal Date: \_\_\_\_\_

Location: \_\_\_\_\_

Product Code BCU- \_ \_ \_ \_

Page



<b>Tags:</b>	<b>QTY:</b>

<b>Special Notes</b>	
----------------------	--

**SPECIFICATIONS**

- Cabinets constructed of 16ga steel and finished with powdercoat paint
- Both ends notched for pipework passage, top entry
- Removable access door for access to piping and ductwork feeding adjacent QLCI terminals

**\*Indicates an added cost item.**

- Additional lead time may be required
- Contact Carson Solutions for more information

\*\*\*Custom sizes available\*\*\*

**DEPTH (W)**

- 13 1/2" (R)
- 16 5/8" (S)

**REAR HEATER (Not Available)**

- No Rear Heater (as shown above) (0)

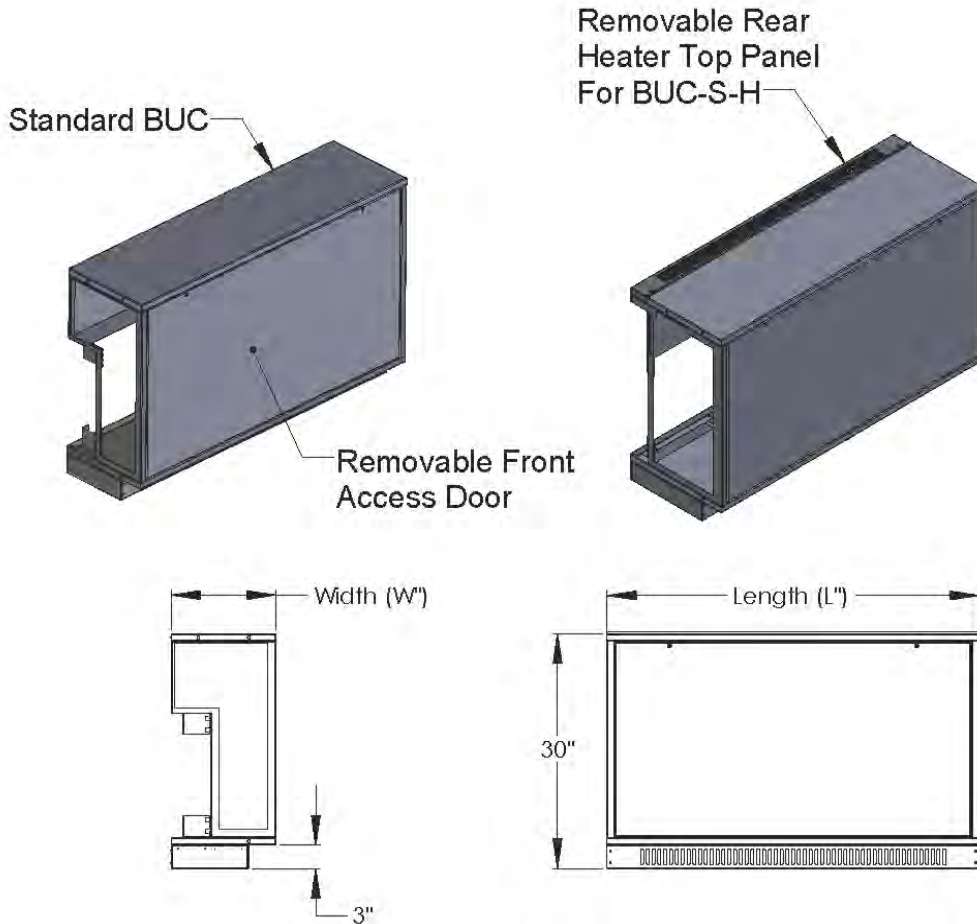
**CABINET FINISH**

- White (1)
- Gray (3)
- NLA (5)
- Other\* (PX - Must Specify)
- NLA (2)
- Dark Gray (4)
- Ivory (6)

**BASE/KICKPLATE OPTIONS**

- Kick plate same finish as Casing (0)
- Black Painted Kick plate\* (K)
- No Base - Field Supplied (N)

Project: _____	Submittal Date: _____
Location: _____	Product Code BCU-TE- _ _ _ _



<b>Tags:</b>	<b>QTY:</b>

<b>Special Notes</b>	
----------------------	--

**SPECIFICATIONS**

- Cabinets constructed of 16ga steel and finished with powdercoat paint
- Both ends notched for pipework passage
- Removable access door for access to piping and ductwork feeding adjacent QLCI terminals

**\*Indicates an added cost item.**

- Additional lead time may be required
- Contact Carson Solutions for more information
- \*\*\*Custom sizes available\*\*\*

**LENGTH (L)**

Size 12"                       Size 30"                       Size 48"

Size 18"                       Size 36"

Size 24"                       Size 42"

**DEPTH (W)**

13½" (R)                       13½" (V)

16%\*" (S)

**REAR HEATER**

No Rear Heater (as shown above) (0)

Rear Heater Casing\* (Requires 16%\* Depth Cabinet) (H)

**CABINET FINISH**

White (1)     Gray (3)     NLA (5)     Other\* (PX - Must Specify)

NLA (2)     Dark Gray (4)     Ivory (6)

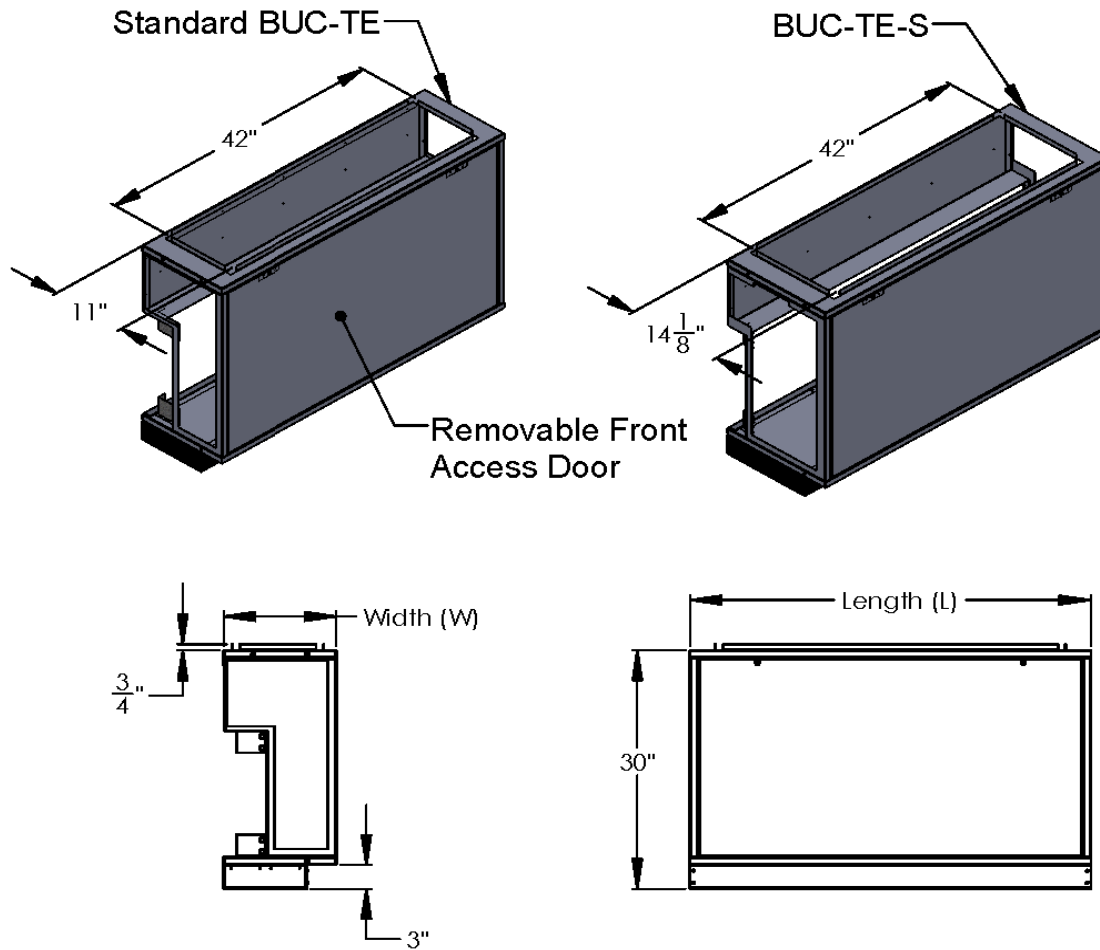
**BASE/KICKPLATE OPTIONS**

Kick plate same finish as Casing (0)

Black Painted Kick plate\* (K)

No Base - Field Supplied (N)

Project: _____	Submittal Date: _____
Location: _____	Product Code BUC- - - - -



Tags: QTY:

Special Notes

**SPECIFICATIONS**

-Cabinets constructed of 16ga steel and finished with powdercoat paint  
 -Both ends notched for pipework passage, top entry  
 -Removable access door for access to piping and ductwork feeding adjacent QLCI terminals

**\*Indicates an added cost item.**

-Additional lead time may be required  
 -Contact Carson Solutions for more information  
 \*\*\*Custom sizes available\*\*\*

**LENGTH (L)**

- Size 18"  Size 36"
- Size 24"  Size 42"
- Size 30"  Size 48"

**DEPTH (W)**

- 13 1/2" (R)
- 16 5/8" (S)

**REAR HEATER (Not Available)**

- No Rear Heater (as shown above) (0)

**CABINET FINISH**

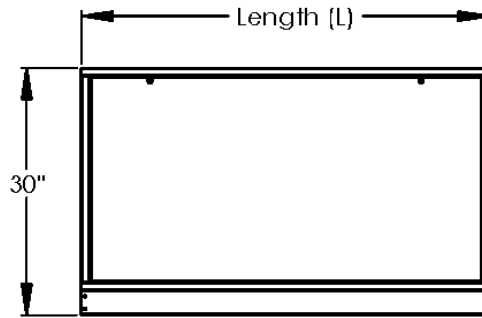
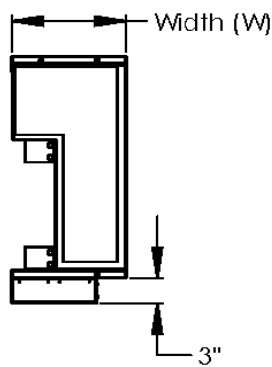
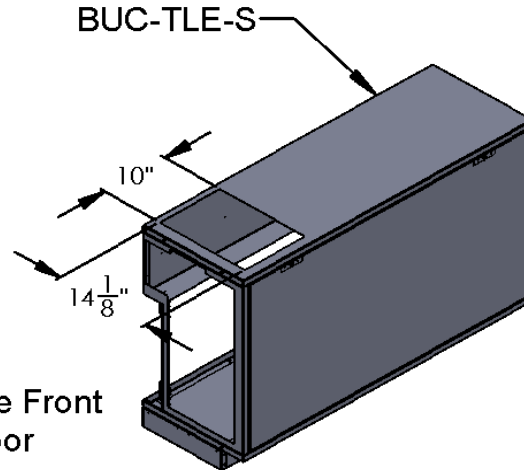
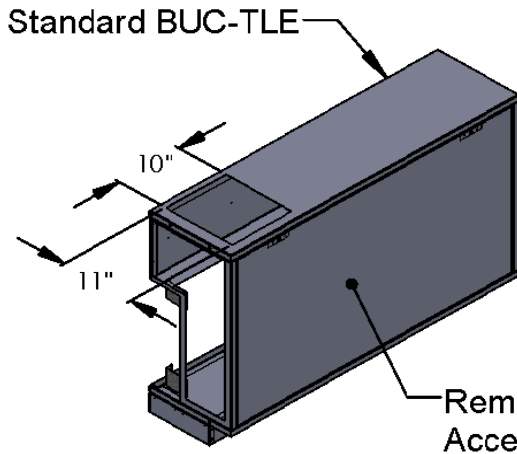
- White (1)  Gray (3)  NLA (5)  Other\* (PX - Must Specify)
- NLA (2)  Dark Gray (4)  Ivory (6)

**BASE/KICKPLATE OPTIONS**

- Kick plate same finish as Casing (0)
- Black Painted Kick plate\* (K)
- No Base - Field Supplied (N)

Project: \_\_\_\_\_ Submittal Date: \_\_\_\_\_  
 Location: \_\_\_\_\_ Product Code BUC-TE-\_-\_-\_-\_- Page \_\_\_\_\_





<b>Tags:</b>	<b>QTY:</b>

<b>Special Notes</b>	
----------------------	--

**SPECIFICATIONS**  
 -Cabinets constructed of 16ga steel and finished with powdercoat paint  
 -Both ends notched for pipework passage, top left entry  
 -Removable access door for access to piping and ductwork feeding adjacent QLCI terminals

**\*Indicates an added cost item.**  
 -Additional lead time may be required  
 -Contact Carson Solutions for more information  
 \*\*\*Custom sizes available\*\*\*

**LENGTH (L)**

<input type="checkbox"/> Size 18"	<input type="checkbox"/> Size 36"
<input type="checkbox"/> Size 24"	<input type="checkbox"/> Size 42"
<input type="checkbox"/> Size 30"	<input type="checkbox"/> Size 48"

**DEPTH (W)**

<input type="checkbox"/> 13½" (R)
<input type="checkbox"/> 16⅝"* (S)

**REAR HEATER (Not Available)**

No Rear Heater (as shown above) (0)

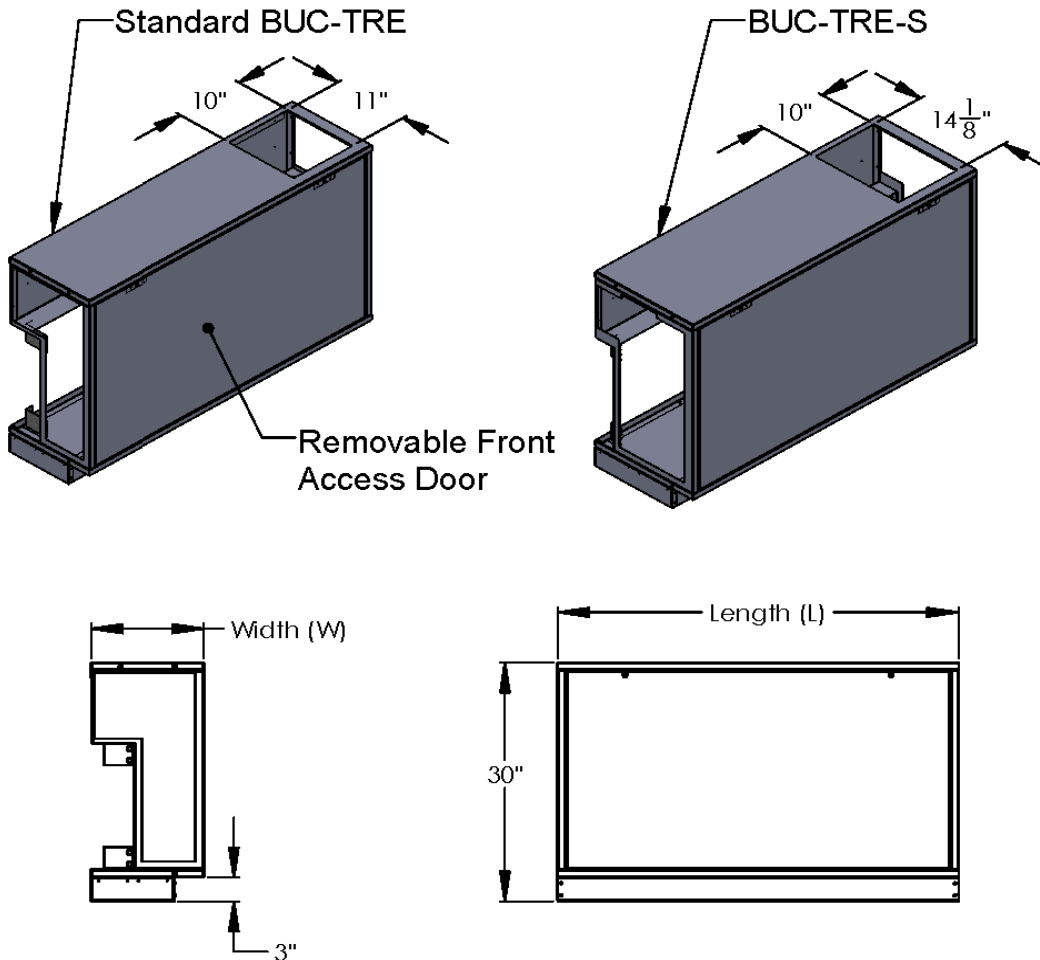
**CABINET FINISH**

<input type="checkbox"/> White (1)	<input type="checkbox"/> Gray (3)	<input type="checkbox"/> NLA (5)	<input type="checkbox"/> Other* (PX - Must Specify)
<input type="checkbox"/> NLA (2)	<input type="checkbox"/> Dark Gray (4)	<input type="checkbox"/> Ivory (6)	

**BASE/KICKPLATE OPTIONS**

<input type="checkbox"/> Kick plate same finish as Casing (0)
<input type="checkbox"/> Black Painted Kick plate* (K)
<input type="checkbox"/> No Base - Field Supplied (N)

Project: _____	Submittal Date: _____
Location: _____	Product Code BUC-TLE- _ _ _ _ _



<b>Tags:</b>	<b>QTY:</b>

<b>Special Notes</b>	
----------------------	--

**SPECIFICATIONS**  
 -Cabinets constructed of 16ga steel and finished with powdercoat paint  
 -Both ends notched for pipework passage, top right entry  
 -Removable access door for access to piping and ductwork feeding adjacent QLCI terminals

**\*Indicates an added cost item.**  
 -Additional lead time may be required  
 -Contact Carson Solutions for more information  
 \*\*\*Custom sizes available\*\*\*

**LENGTH (L)**

<input type="checkbox"/> Size 18"	<input type="checkbox"/> Size 36"
<input type="checkbox"/> Size 24"	<input type="checkbox"/> Size 42"
<input type="checkbox"/> Size 30"	<input type="checkbox"/> Size 48"

**DEPTH (W)**

<input type="checkbox"/> 13½" (R)
<input type="checkbox"/> 16½"* (S)

**REAR HEATER (Not Available)**

No Rear Heater (as shown above) (0)

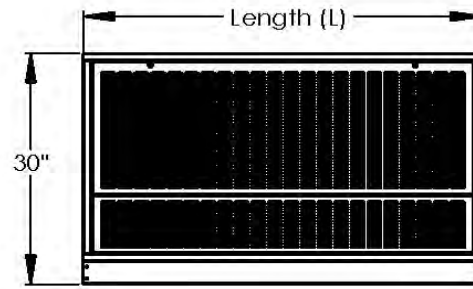
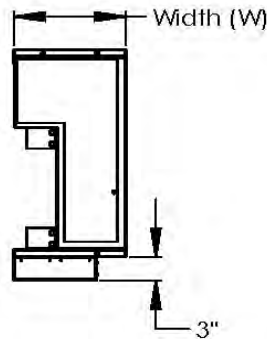
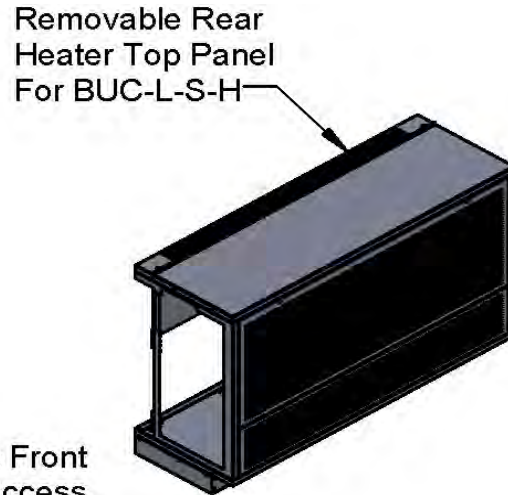
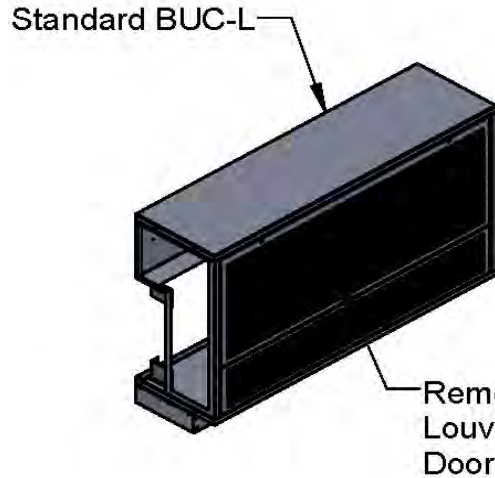
**CABINET FINISH**

<input type="checkbox"/> White (1)	<input type="checkbox"/> Gray (3)	<input type="checkbox"/> NLA (5)	<input type="checkbox"/> Other* (PX - Must Specify)
<input type="checkbox"/> NLA (2)	<input type="checkbox"/> Dark Gray (4)	<input type="checkbox"/> Ivory (6)	

**BASE/KICKPLATE OPTIONS**

<input type="checkbox"/> Kick plate same finish as Casing (0)
<input type="checkbox"/> Black Painted Kick plate* (K)
<input type="checkbox"/> No Base - Field Supplied (N)

Project: _____	Submittal Date: _____
Location: _____	Product Code BUC-TRE- _ _ _ _ _



<b>Tags:</b>	<b>QTY:</b>

<b>Special Notes</b>	
----------------------	--

**SPECIFICATIONS**

- Cabinets constructed of 16ga steel and finished with powdercoat paint
- Both ends notched for pipework passage
- Removable access door for access to piping and ductwork feeding adjacent QLCI terminals

**\*Indicates an added cost item.**

- Additional lead time may be required
- Contact Carson Solutions for more information
- \*\*\*Custom sizes available\*\*\*

**LENGTH (L)**

Size 12"     Size 30"     Size 48"  
 Size 18"     Size 36"  
 Size 24"     Size 42"

**DEPTH (W)**

13½" (R)  
 16½"\* (S)

**REAR HEATER**

No Rear Heater (as shown above) (0)  
 Rear Heater Casing\* (Requires 16½" Depth Cabinet) (H)

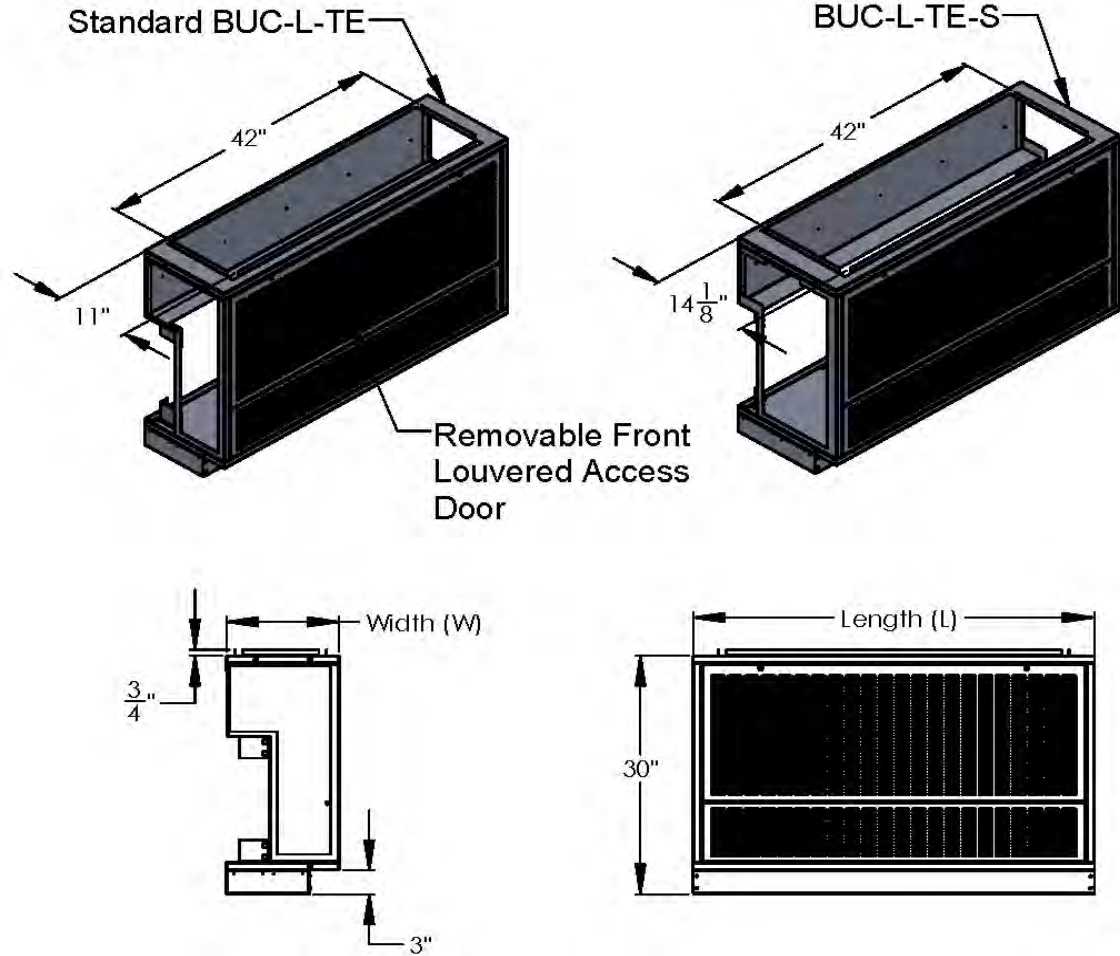
**CABINET FINISH**

White (1)     Gray (3)     NLA (5)     Other\* (PX - Must Specify)  
 NLA (2)     Dark Gray (4)     Ivory (6)

**BASE/KICKPLATE OPTIONS**

Kick plate same finish as Casing (0)  
 Black Painted Kick plate\* (K)  
 No Base - Field Supplied (N)

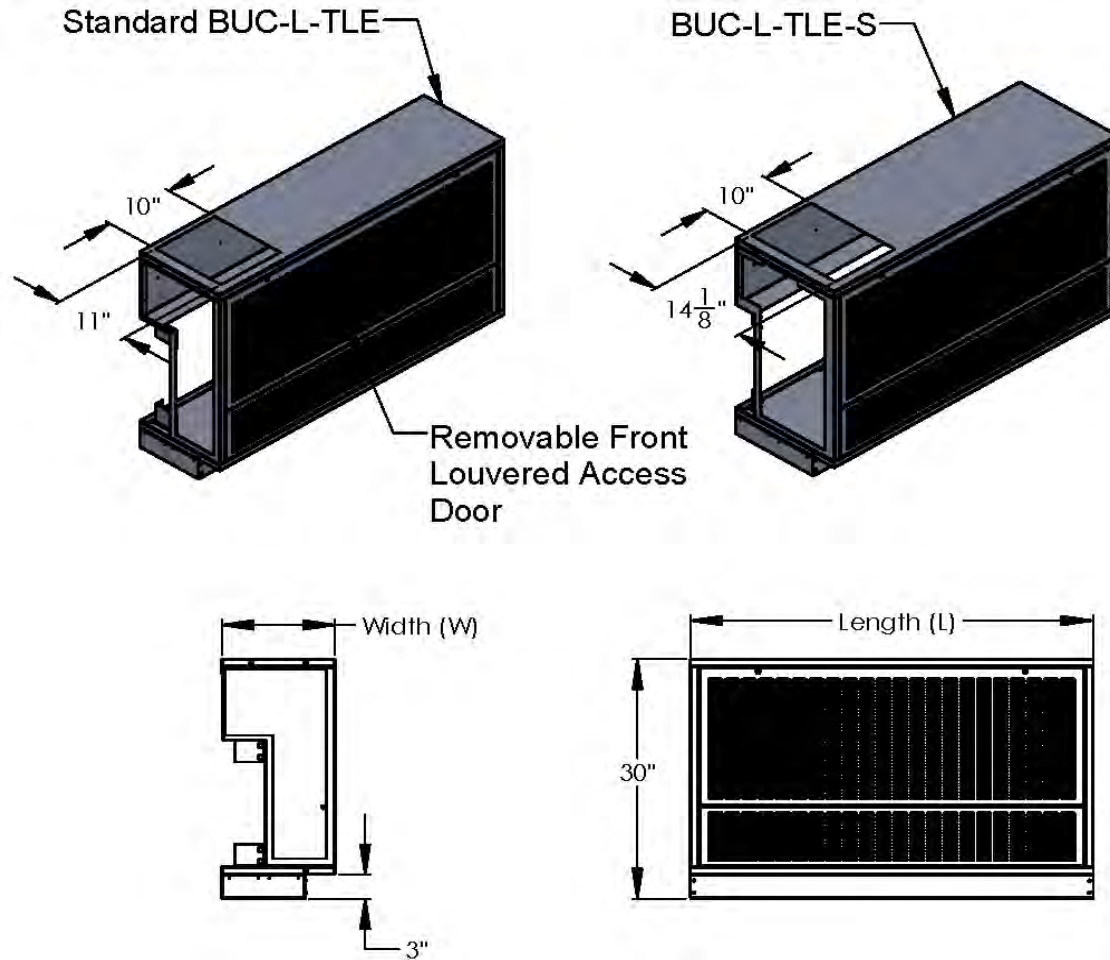
Project: _____	Submittal Date: _____
Location: _____	Product Code BUC-L-_-_-_-_-



<b>Tags:</b>	<b>QTY:</b>
<b>Special Notes</b>	
<b>SPECIFICATIONS</b>	
-Cabinets constructed of 16ga steel and finished with powdercoat paint	
-Both ends notched for pipework passage, top entry	
-Removable access door for access to piping and ductwork feeding adjacent QLCI terminals	
<b>*Indicates an added cost item.</b>	
-Additional lead time may be required	
-Contact Carson Solutions for more information	
***Custom sizes available***	

<b>LENGTH (L)</b>			
<input type="checkbox"/> Size 18"	<input type="checkbox"/> Size 36"		
<input type="checkbox"/> Size 24"	<input type="checkbox"/> Size 42"		
<input type="checkbox"/> Size 30"	<input type="checkbox"/> Size 48"		
<b>DEPTH (W)</b>			
<input type="checkbox"/> 13½" (R)	<input type="checkbox"/> 16½"* (S)		
<b>REAR HEATER (Not Available)</b>			
<input type="checkbox"/> No Rear Heater (as shown above) (0)			
<b>CABINET FINISH</b>			
<input type="checkbox"/> White (1)	<input type="checkbox"/> Gray (3)	<input type="checkbox"/> NLA (5)	<input type="checkbox"/> Other* (PX - Must Specify)
<input type="checkbox"/> NLA (2)	<input type="checkbox"/> Dark Gray (4)	<input type="checkbox"/> Ivory (6)	
<b>BASE/KICKPLATE OPTIONS</b>			
<input type="checkbox"/> Kick plate same finish as Casing (0)			
<input type="checkbox"/> Black Painted Kick plate* (K)			
<input type="checkbox"/> No Base - Field Supplied (N)			

Project: _____	Submittal Date: _____
Location: _____	Product Code BUC-L-TE- - - - -



<b>Tags:</b>	<b>QTY:</b>

<b>Special Notes</b>	
----------------------	--

**SPECIFICATIONS**

- Cabinets constructed of 16ga steel and finished with powdercoat paint
- Both ends notched for pipework passage, top left entry
- Removable access door for access to piping and ductwork feeding adjacent QLCI terminals

**\*Indicates an added cost item.**

- Additional lead time may be required
- Contact Carson Solutions for more information
- \*\*\*Custom sizes available\*\*\*

**LENGTH (L)**

<input type="checkbox"/> Size 18"	<input type="checkbox"/> Size 36"
<input type="checkbox"/> Size 24"	<input type="checkbox"/> Size 42"
<input type="checkbox"/> Size 30"	<input type="checkbox"/> Size 48"

**DEPTH (W)**

<input type="checkbox"/> 13½" (R)
<input type="checkbox"/> 16⅝"* (S)

**REAR HEATER (Not Available)**

No Rear Heater (as shown above) (0)

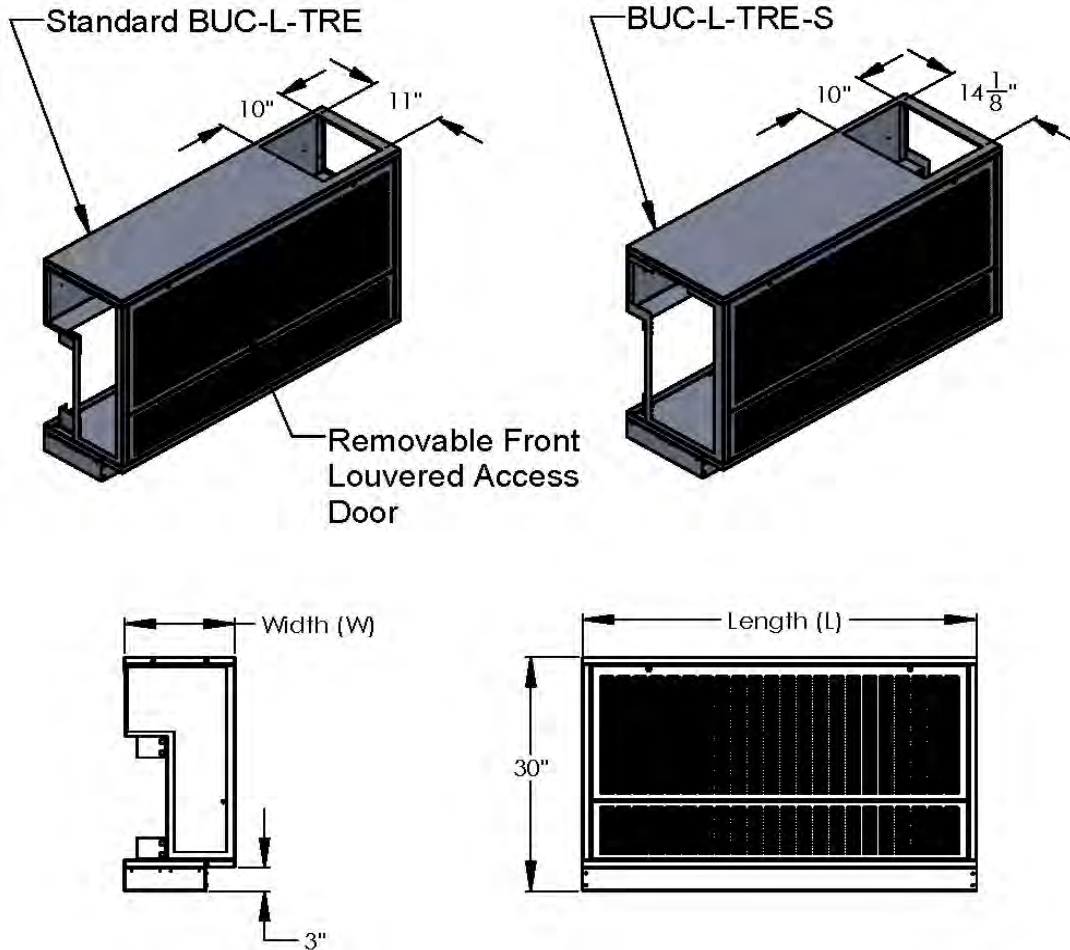
**CABINET FINISH**

<input type="checkbox"/> White (1)	<input type="checkbox"/> Gray (3)	<input type="checkbox"/> NLA (5)	<input type="checkbox"/> Other* (PX - Must Specify)
<input type="checkbox"/> NLA (2)	<input type="checkbox"/> Dark Gray (4)	<input type="checkbox"/> Ivory (6)	

**BASE/KICKPLATE OPTIONS**

<input type="checkbox"/> Kick plate same finish as Casing (0)
<input type="checkbox"/> Black Painted Kick plate* (K)
<input type="checkbox"/> No Base - Field Supplied (N)

Project: _____	Submittal Date: _____
Location: _____	Product Code BUC-L-TLE- - - - -



<b>Tags:</b>	<b>QTY:</b>

<b>Special Notes</b>	
----------------------	--

**SPECIFICATIONS**

- Cabinets constructed of 16ga steel and finished with powdercoat paint
- Both ends notched for pipework passage, top right entry
- Removable access door for access to piping and ductwork feeding adjacent QLCI terminals

**\*Indicates an added cost item.**

- Additional lead time may be required
- Contact Carson Solutions for more information
- \*\*\*Custom sizes available\*\*\*

**LENGTH (L)**

<input type="checkbox"/> Size 18"	<input type="checkbox"/> Size 36"
<input type="checkbox"/> Size 24"	<input type="checkbox"/> Size 42"
<input type="checkbox"/> Size 30"	<input type="checkbox"/> Size 48"

**DEPTH (W)**

<input type="checkbox"/> 13½" (R)
<input type="checkbox"/> 16½"* (S)

**REAR HEATER (Not Available)**

No Rear Heater (as shown above) (0)

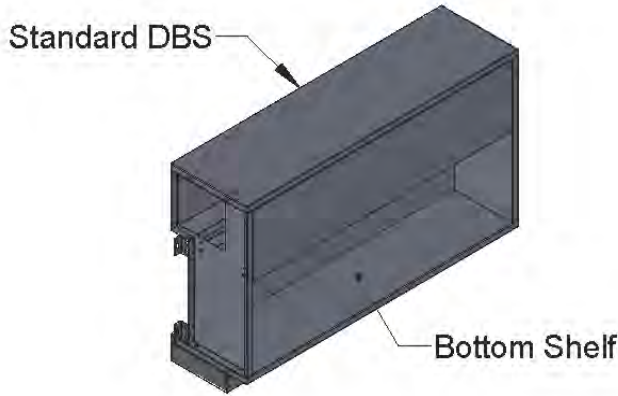
**CABINET FINISH**

<input type="checkbox"/> White (1)	<input type="checkbox"/> Gray (3)	<input type="checkbox"/> NLA (5)	<input type="checkbox"/> Other* (PX - Must Specify)
<input type="checkbox"/> NLA (2)	<input type="checkbox"/> Dark Gray (4)	<input type="checkbox"/> Ivory (6)	

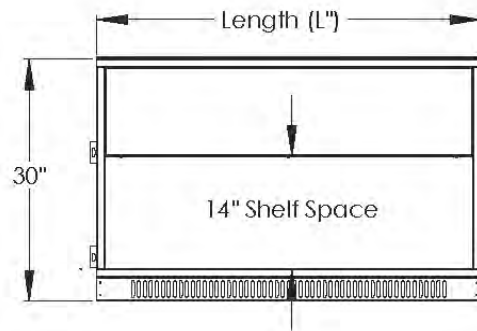
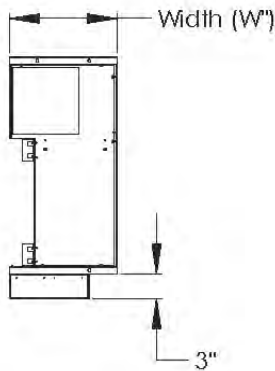
**BASE/KICKPLATE OPTIONS**

<input type="checkbox"/> Kick plate same finish as Casing (0)
<input type="checkbox"/> Black Painted Kick plate* (K)
<input type="checkbox"/> No Base - Field Supplied (N)

Project: _____	Submittal Date: _____
Location: _____	Product Code BUC-L-TRE- - - - -



Ductwork provided by others



Tags: QTY:

Special Notes

**SPECIFICATIONS**  
 -Cabinets constructed of 16ga steel and finished with powdercoat paint  
 -Both ends notched for pipework passage  
 -Duct passage  
 -Fixed bottom shelf

**\*Indicates an added cost item**  
 -Additional lead time may be required  
 -Contact Carson Solutions for more information  
 \*\*\*Custom sizes available\*\*\*

**LENGTH (L)**

- Size 24"
- Size 30"

- Size 36"
- Size 42"
- Size 48"

**DEPTH (W)**

- 13½" (R)
- 16½"\* (S)
- 13½" (V)

**REAR HEATER**

- No Rear Heater (as shown above) (0)
- Rear Heater Casing\* (Requires 16½" Depth Cabinet) (H)

**CABINET FINISH**

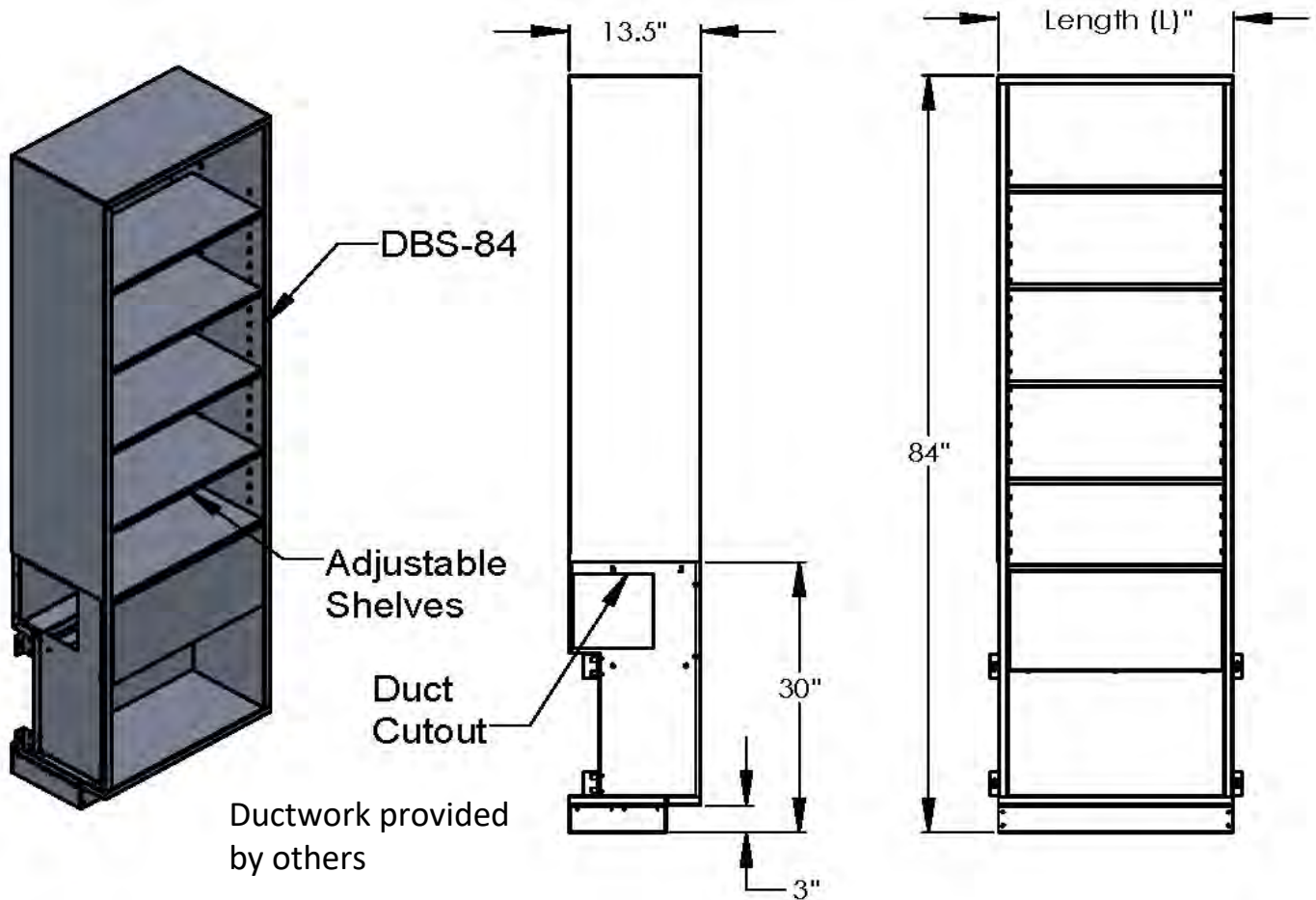
- White (1)
- Gray (3)
- NLA (5)
- Other\* (PX - Must Specify)
- NLA (2)
- Dark Gray (4)
- Ivory (6)

**BASE/KICKPLATE OPTIONS**

- Kick plate same finish as Casing (0)
- Black Painted Kick plate\* (K)
- No Base - Field Supplied (N)

Project: \_\_\_\_\_ Submittal Date: \_\_\_\_\_

Location: \_\_\_\_\_ Product Code DBS- \_ \_ \_ \_ Page



<b>Tags:</b>	<b>QTY:</b>

<b>Special Notes</b>	
----------------------	--

**SPECIFICATIONS**

- Cabinets constructed of 16ga steel and finished with powdercoat paint
- Both ends notched for pipework passage
- Adjustable center shelf
- Duct passage

**\*Indicates an added cost item**

- Additional lead time may be required
- Contact Carson Solutions for more information
- \*\*\*Custom sizes available\*\*\*

**LENGTH (L)**

Size 24"       Size 36"

Size 30"       Size 42"

Size 48"

**DEPTH (W)**

13½" (R)

**REAR HEATER**

No Rear Heater (as shown above) (0)

**CABINET FINISH**

White (1)     Gray (3)       NLA (5)       Other\* (PX - Must Specify)

NLA (2)       Dark Gray (4)     Ivory (6)

**BASE/KICKPLATE OPTIONS**

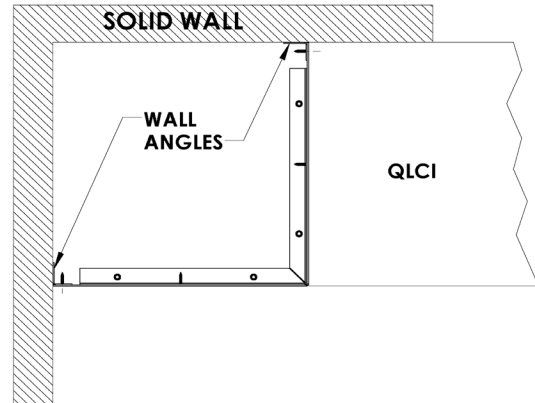
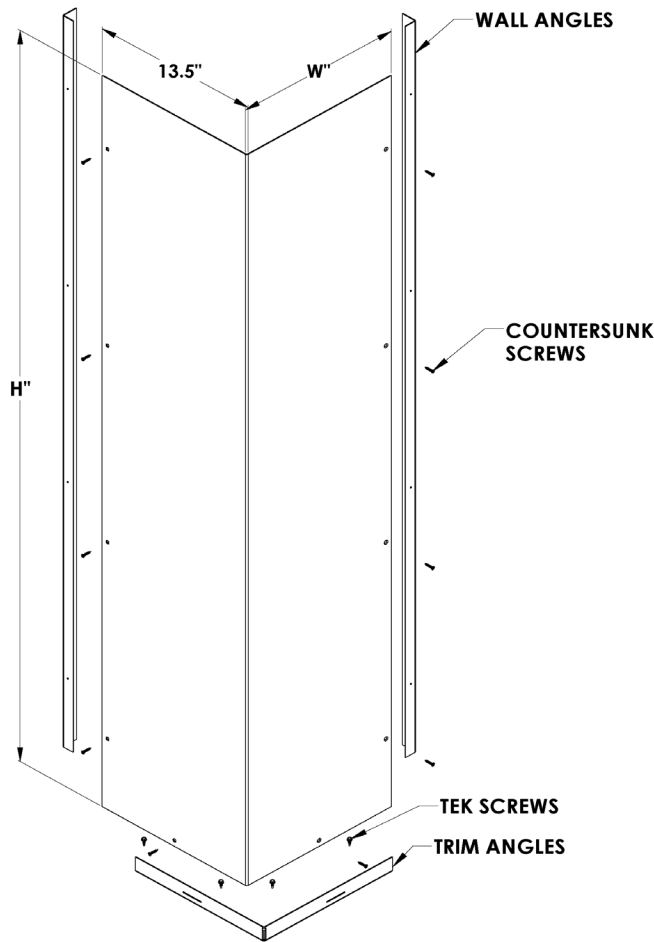
Kick plate same finish as Casing (0)

Black Painted Kick plate\* (K)

No Base - Field Supplied (N)

Project: _____	Submittal Date: _____
Location: _____	Product Code DBS-84- - - - -





- COVER TO BE FIELD MOUNTED (BY OTHERS) USING WALL MOUNTED ANGLES
- WALL MOUNTING ANGLES TO BE INSTALLED (BY OTHERS)
- PAINTED COUNTERSUNK SCREWS ARE PROVIDED
- TRIM ANGLES TO BE SECURED (BY OTHERS) TO TOP OF QLCI CABINETS WITH SUPPLIED TEK SCREWS

Tags: QTY:

HEIGHT (H)

     L =      "

**Notes:**

1. Any duct covers over 110" will be made into two separate covers\*
2. Standards heights are 54" up to 96"

Special Notes

**SPECIFICATIONS**

- Covers constructed of 16ga steel and finished with powdercoat paint
- Includes wall angles with countersunk screws
- Includes angle plates to be mounted on top of the QLCI
- Cover to be field mounted (by others)

**WIDTH (W)**

- 13½" (R) for LE, RE, LEN, REN, LX, RX, LXN, RXN
- 16" (V) for LEX, REX, LXX, RXX, LZS, RZS
- 18" (T)
- 24" (Y)
- 30" (X)

**CABINET FINISH**

- White (1)
- Gray (3)
- NLA (5)
- Other\*
- NLA (2)
- Dark Gray (4)
- Ivory (6)

**\*Indicates an added cost item.**

- Additional lead time may be required
- Contact Carson Solutions for more information
- \*\*\*Custom sizes available\*\*\*

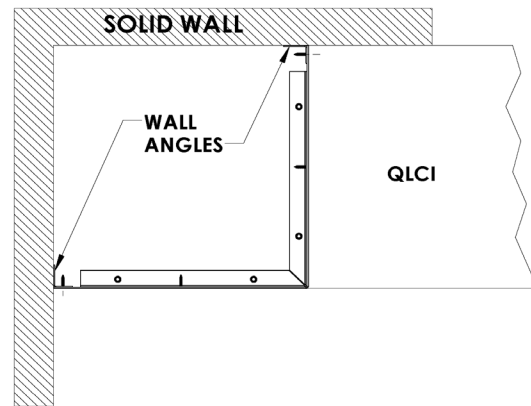
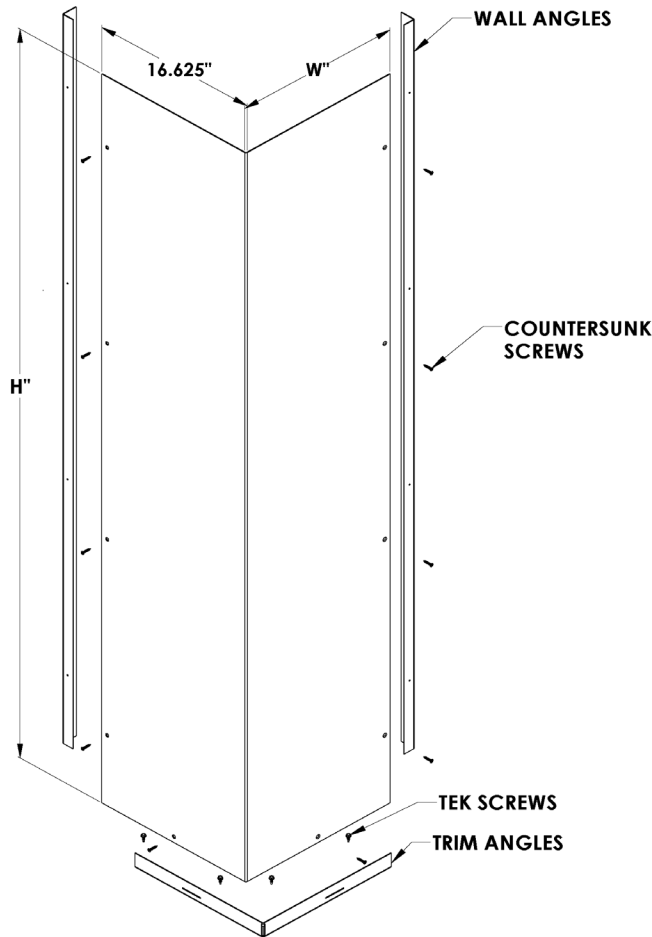
Project: \_\_\_\_\_

Submittal Date: \_\_\_\_\_

Location: \_\_\_\_\_

Product Code VDC2-R-\_\_

Page



- COVER TO BE FIELD MOUNTED (BY OTHERS) USING WALL MOUNTED ANGLES
- WALL MOUNTING ANGLES TO BE INSTALLED (BY OTHERS)
- PAINTED COUNTERSUNK SCREWS ARE PROVIDED
- TRIM ANGLES TO BE SECURED (BY OTHERS) TO TOP OF QLCI CABINETS WITH SUPPLIED TEK SCREWS

Tags: QTY:

HEIGHT (H)

     L =      "

**Notes:**

1. Any duct covers over 110" will be made into two separate covers\*
2. Standards heights are 54" up to 96"

Special Notes

**SPECIFICATIONS**

- Covers constructed of 16ga steel and finished with powdercoat paint
- Includes wall angles with countersunk screws
- Includes angle plates to be mounted on top of the QLCI
- Cover to be field mounted (by others)

**\*Indicates an added cost item.**

- Additional lead time may be required
- Contact Carson Solutions for more information
- \*\*\*Custom sizes available\*\*\*

**WIDTH (W)**

- 13½" (R) for LE, RE, LEN, REN, LX, RX, LXN, RXN
- 16" (V) for LEX, REX, LXX, RXX, LZS, RZS
- 18" (T)
- 24" (Y)
- 30" (X)

**CABINET FINISH**

- White (1)
- Gray (3)
- NLA (5)
- Other\*
- NLA (2)
- Dark Gray (4)
- Ivory (6)

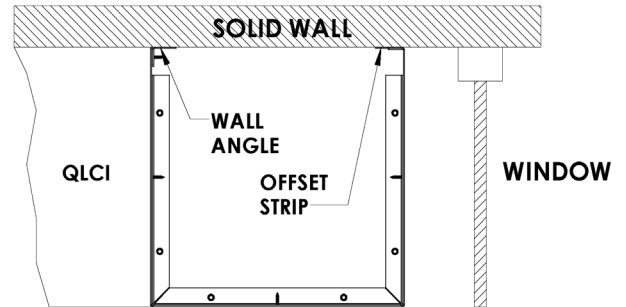
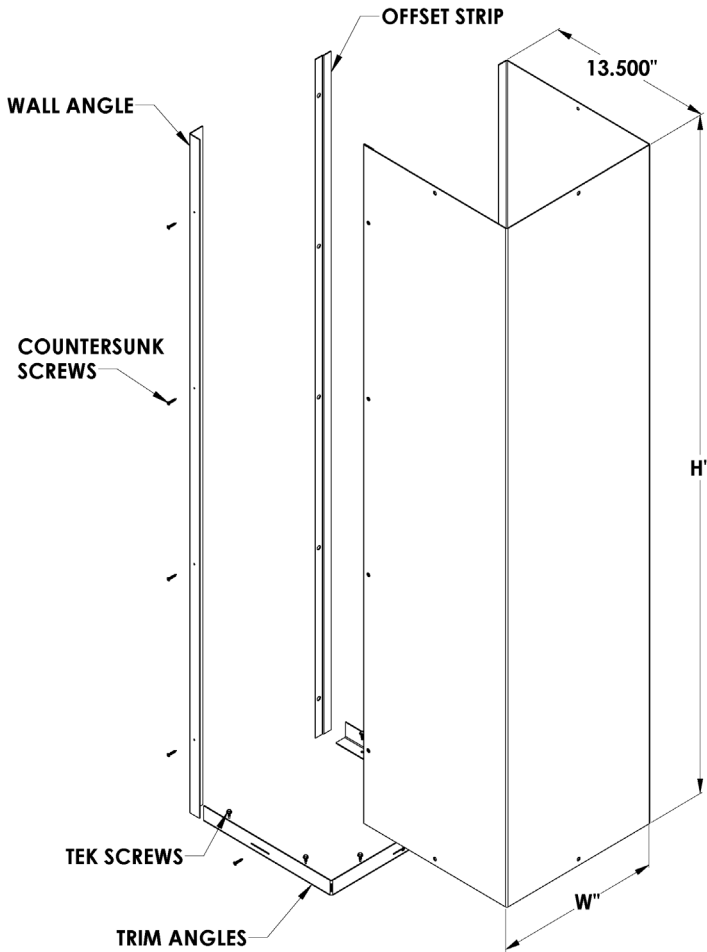
Project: \_\_\_\_\_

Submittal Date: \_\_\_\_\_

Location: \_\_\_\_\_

Product Code VDC2-S-\_\_-

Page



- COVER TO BE FIELD MOUNTED (BY OTHERS) USING WALL MOUNTED ANGLES
- WALL MOUNTING ANGLE AND OFFSET STRIP TO BE INSTALLED (BY OTHERS)
- PAINTED COUNTERSUNK SCREWS ARE PROVIDED
- TRIM ANGLES TO BE SECURED (BY OTHERS) TO TOP OF QLCI CABINETS WITH SUPPLIED TEK SCREWS

Tags: QTY:

HEIGHT (H)

L = \_\_\_\_\_ "

**Notes:**

1. Any duct covers over 96" will be made into two separate covers\*
2. Standards heights are 54" up to 96"

Special Notes

**SPECIFICATIONS**

- Covers constructed of 16ga steel and finished with powdercoat paint
- Includes wall angle and offset strip with countersunk screws
- Includes angle plates to be mounted on top of the QLCI
- Cover to be field mounted (by others)

WIDTH (W)

- 13½" (R) LE, RE, LEN, REN, LX, RX, LXN, RXN
- 16" (V) LEX, REX, LXX, RXX, LZS, RZS
- 18" (T)
- 24" (Y) 3 piece construction
- 32" (X) 3 piece construction

**CABINET FINISH**

- White (1)
- Gray (3)
- NLA (5)
- Other\*
- NLA (2)
- Dark Gray (4)
- Ivory (6)

**\*Indicates an added cost item.**

- Additional lead time may be required
- Contact Carson Solutions for more information
- \*\*\*Custom sizes available\*\*\*

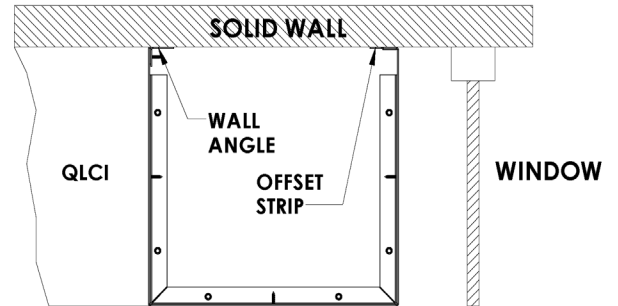
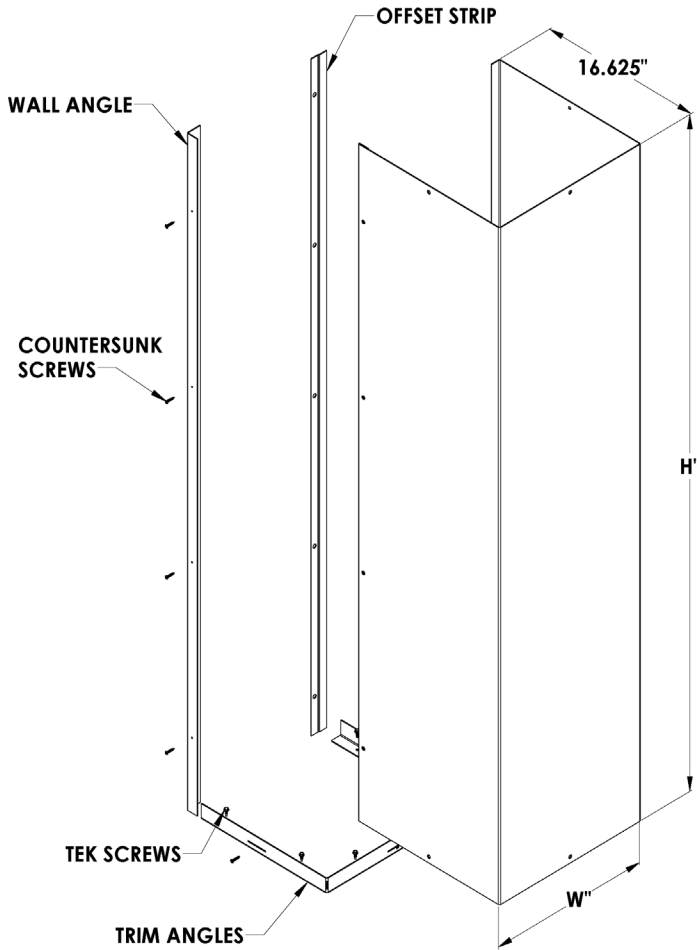
Project: \_\_\_\_\_

Submittal Date: \_\_\_\_\_

Location: \_\_\_\_\_

Product Code VDC3C-R-\_\_-

Page



- COVER TO BE FIELD MOUNTED (BY OTHERS) USING WALL MOUNTED ANGLES
- WALL MOUNTING ANGLE AND OFFSET STRIP TO BE INSTALLED (BY OTHERS)
- PAINTED COUNTERSUNK SCREWS ARE PROVIDED
- TRIM ANGLES TO BE SECURED (BY OTHERS) TO TOP OF QLCI CABINETS WITH SUPPLIED TEK SCREWS

Tags: QTY:

--	--

Special Notes

--

**SPECIFICATIONS**

- Covers constructed of 16ga steel and finished with powdercoat paint
- Includes wall angle and offset strip with countersunk screws
- Includes angle plates to be mounted on top of the QLCI
- Cover to be field mounted (by others)

**\*Indicates an added cost item.**

- Additional lead time may be required
- Contact Carson Solutions for more information
- \*\*\*Custom sizes available\*\*\*

**HEIGHT (H)**

L = \_\_\_\_\_ "

**Notes:**

1. Any duct covers over 96" will be made into two separate covers\*
2. Standards heights are 54" up to 96"

**WIDTH (W)**

- 13½" (R) LE, RE, LEN, REN, LX, RX, LXN, RXN
- 16" (V) LEX, REX, LXX, RXX, LZS, RZS 3 piece construction
- 18" (T) 3 piece construction
- 24" (Y) 3 piece construction
- 32" (X) 3 piece construction

**CABINET FINISH**

- White (1)
- Gray (3)
- NLA (5)
- Other\*
- NLA (2)
- Dark Gray (4)
- Ivory (6)

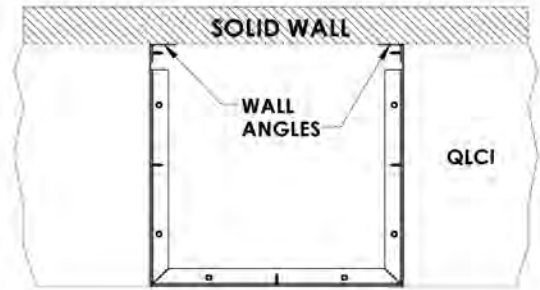
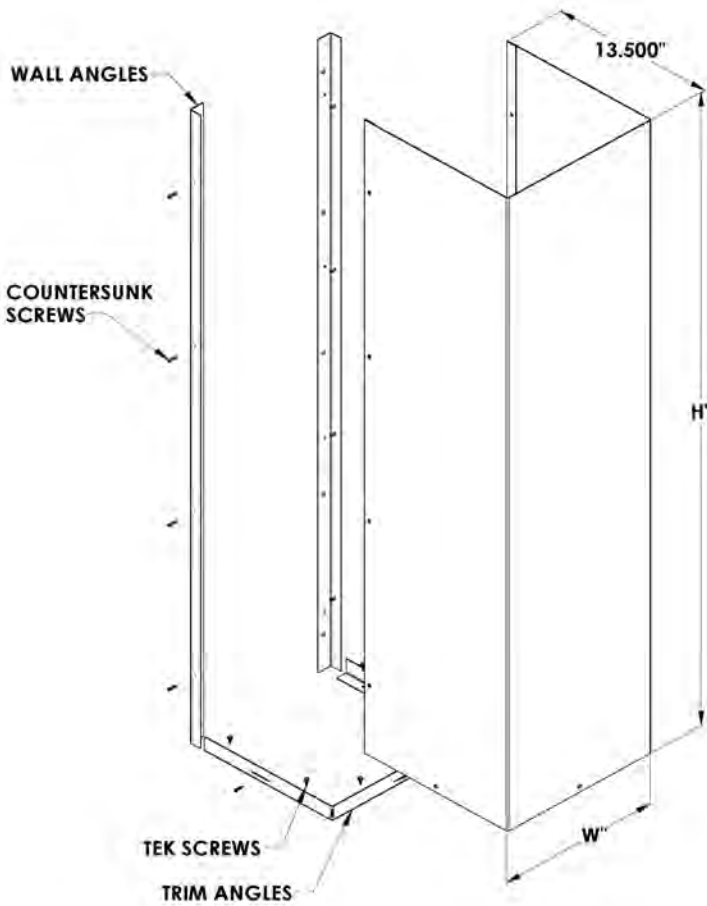
Project: \_\_\_\_\_

Submittal Date: \_\_\_\_\_

Location: \_\_\_\_\_

Product Code VDC3C-S-\_\_-

Page \_\_\_\_\_



- COVER TO BE FIELD MOUNTED (BY OTHERS) USING WALL MOUNTED ANGLES  
 - WALL MOUNTING ANGLES TO BE INSTALLED (BY OTHERS)  
 - PAINTED COUNTERSUNK SCREWS ARE PROVIDED  
 - TRIM ANGLES TO BE SECURED (BY OTHERS) TO TOP OF QLCI CABINETS WITH SUPPLIED TEK SCREWS

Tags: QTY:

HEIGHT (H)

L = \_\_\_\_\_ "

**Notes:**

1. Any duct covers over 96" will be made into two separate covers\*
2. Standards heights are 54" up to 96"

Special Notes

**SPECIFICATIONS**

- Covers constructed of 16ga steel and finished with powdercoat paint
- Includes wall angles with countersunk screws
- Includes angle plates to be mounted on top of the QLCI
- Cover to be field mounted (by others)

**DEPTH (W)**

- 13½" (R) LE, RE, LEN, REN, LX, RX, LXN, RXN
- 16" (V) LEX, REX, LXX, RXX, LZS, RZS
- 18" (T)
- 24" (Y) 3 piece construction
- 32" (X) 3 piece construction

**CABINET FINISH**

- White (1)
- Gray (3)
- NLA (5)
- Other\*
- NLA (2)
- Dark Gray (4)
- Ivory (6)

**\*Indicates an added cost item.**

- Additional lead time may be required
- Contact Carson Solutions for more information
- \*\*\*Custom sizes available\*\*\*

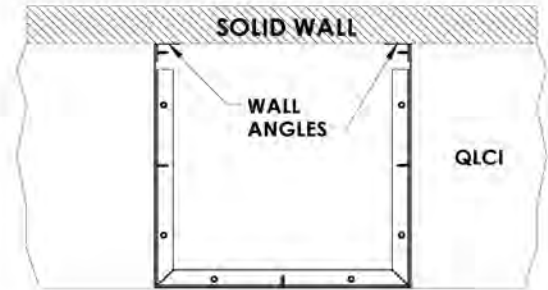
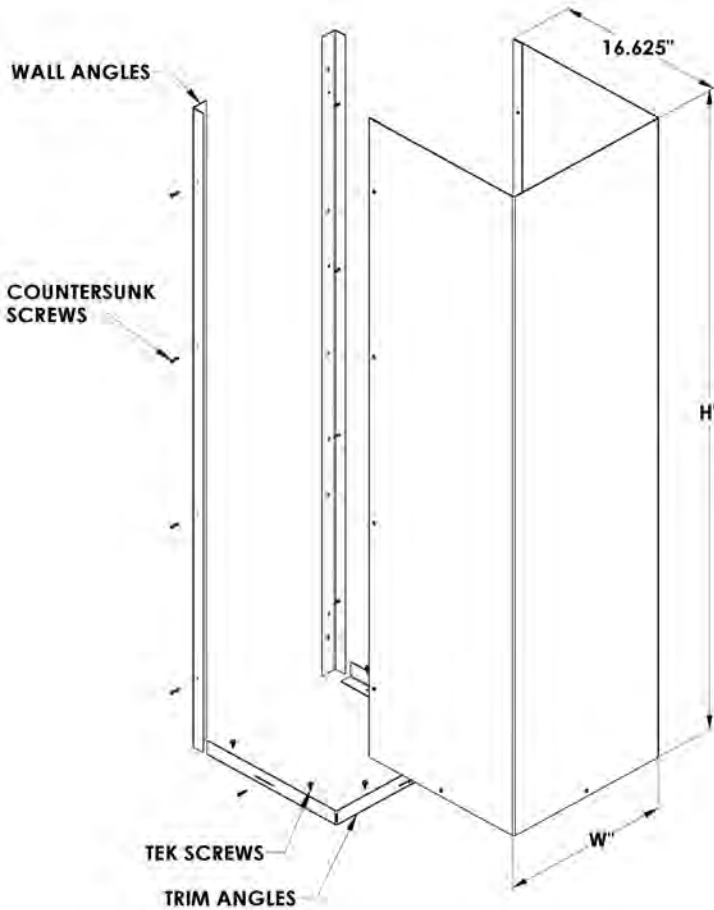
Project: \_\_\_\_\_

Submittal Date: \_\_\_\_\_

Location: \_\_\_\_\_

Product Code VDC3W-R-\_\_

Page



- COVER TO BE FIELD MOUNTED (BY OTHERS) USING WALL MOUNTED ANGLES
- WALL MOUNTING ANGLES TO BE INSTALLED (BY OTHERS)
- PAINTED COUNTERSUNK SCREWS ARE PROVIDED
- TRIM ANGLES TO BE SECURED (BY OTHERS) TO TOP OF QLCI CABINETS WITH SUPPLIED TEK SCREWS

Tags: QTY:

HEIGHT (H)

L = \_\_\_\_\_ "

**Notes:**

1. Any duct covers over 96" will be made into two separate covers\*
2. Standards heights are 54" up to 96"

Special Notes

**SPECIFICATIONS**

- Covers constructed of 16ga steel and finished with powdercoat paint
- Includes wall angles with countersunk screws
- Includes angle plates to be mounted on top of the QLCI
- Cover to be field mounted (by others)

**DEPTH (W)**

- 13½" (R) LE, RE, LEN, REN, LX, RX, LXN, RXN
- 16" (V) LEX, REX, LXX, RXX, LZS, RZS 3 piece construction
- 18" (T) 3 piece construction
- 24" (Y) 3 piece construction
- 32" (X) 3 piece construction

**CABINET FINISH**

- White (1)
- Gray (3)
- NLA (5)
- Other\*
- NLA (2)
- Dark Gray (4)
- Ivory (6)

**\*Indicates an added cost item.**

- Additional lead time may be required
- Contact Carson Solutions for more information
- \*\*\*Custom sizes available\*\*\*

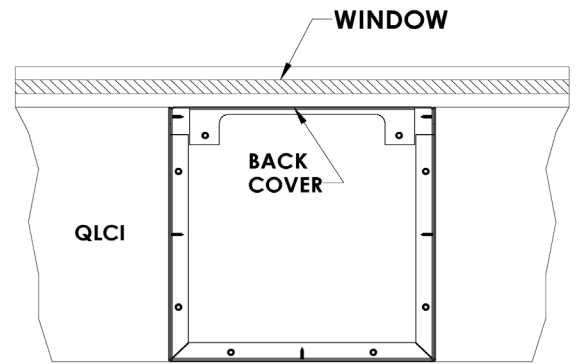
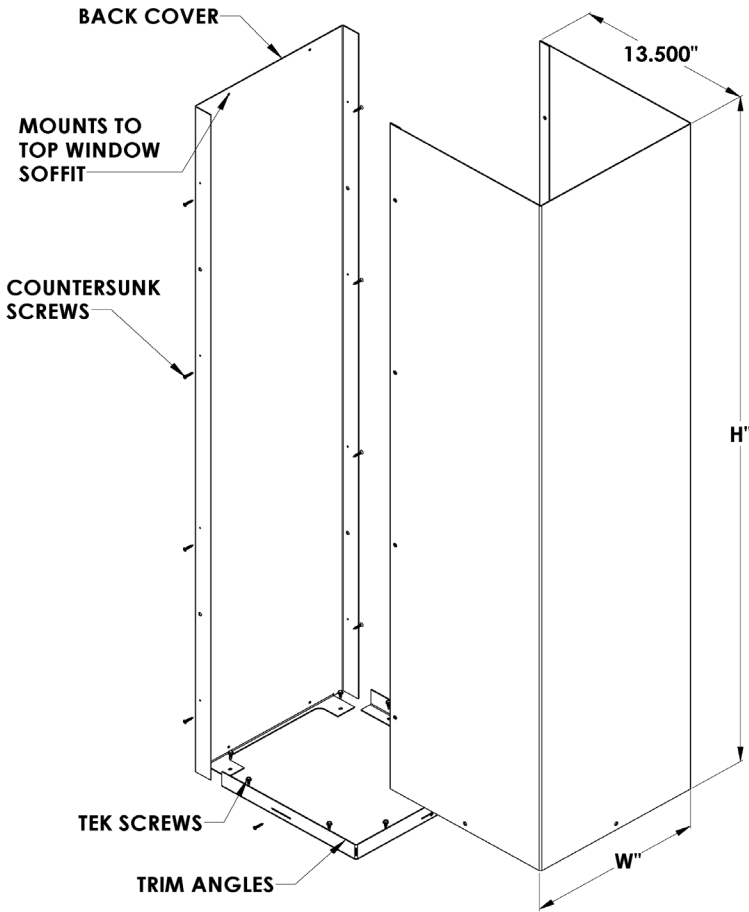
Project: \_\_\_\_\_

Submittal Date: \_\_\_\_\_

Location: \_\_\_\_\_

Product Code VDC3W-S-\_\_-

Page



- COVER TO BE FIELD MOUNTED (BY OTHERS) USING WALL MOUNTED BACK COVER
- BACK COVER MOUNTS TO TOP SOFFIT (ABOVE WINDOW) AND TOP OF QLCI CABINET (BY OTHERS)
- PAINTED COUNTERSUNK SCREWS ARE PROVIDED
- TRIM ANGLES TO BE SECURED (BY OTHERS) TO TOP OF QLCI CABINETS WITH SUPPLIED TEK SCREWS

Tags: QTY:

--	--

Special Notes

**SPECIFICATIONS**  
 -Covers constructed of 16ga steel and finished with powdercoat paint  
 -Includes back cover with countersunk screws  
 -Includes angle plates to be mounted on top of the QLCI  
 -Cover to be field mounted (by others)

**\*Indicates an added cost item.**  
 -Additional lead time may be required  
 -Contact Carson Solutions for more information  
 \*\*\*Custom sizes available\*\*\*

**HEIGHT (H)**

L = \_\_\_\_\_ "

**Notes:**

1. Any duct covers over 96" will be made into two separate covers\*
2. Standards heights are 54" up to 96"

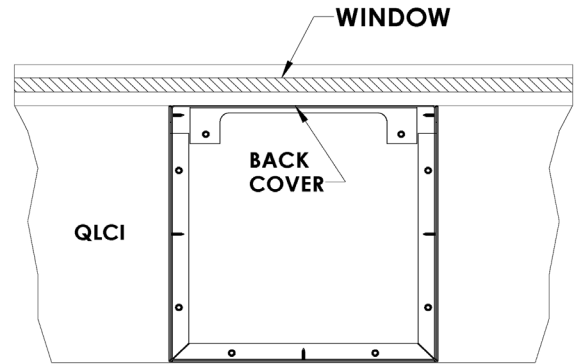
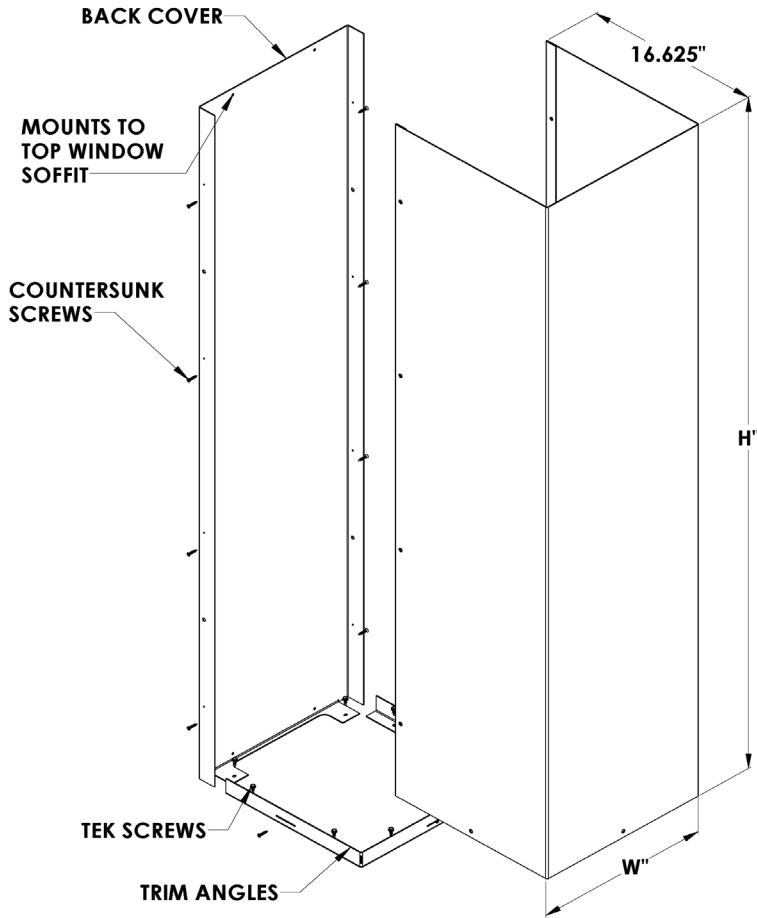
**WIDTH (W)**

- 13½" (R) LE, RE, LEN, REN, LX, RX, LXN, RXN
- 16" (V) LEX, REX, LXX, RXX, LZS, RZS
- 18" (T)
- 24" (Y) 3 piece construction
- 32" (X) 4 piece construction

**CABINET FINISH**

- White (1)
- Gray (3)
- NLA (5)
- Other\*
- NLA (2)
- Dark Gray (4)
- Ivory (6)

Project: _____	Submittal Date: _____
Location: _____	Product Code VDC4-R-__-__ Page _____



-COVER TO BE FIELD MOUNTED (BY OTHERS) USING WALL MOUNTED BACK COVER  
-BACK COVER MOUNTS TO TOP SOFFIT (ABOVE WINDOW) AND TOP OF QLCI CABINET (BY OTHERS)  
-PAINTED COUNTERSUNK SCREWS ARE PROVIDED  
-TRIM ANGLES TO BE SECURED (BY OTHERS) TO TOP OF QLCI CABINETS WITH SUPPLIED TEK SCREWS

Tags: QTY:

--

Special Notes

**SPECIFICATIONS**  
-Covers constructed of 16ga steel and finished with powdercoat paint  
-Includes back cover with countersunk screws  
-Includes angle plates to be mounted on top of the QLCI  
-Cover to be field mounted (by others)

**\*Indicates an added cost item.**  
-Additional lead time may be required  
-Contact Carson Solutions for more information  
\*\*\*Custom sizes available\*\*\*

HEIGHT (H)

L = \_\_\_\_\_ "

Notes:

- Any duct covers over 96" will be made into two separate covers\*
- Standards heights are 54" up to 96"

WIDTH (W)

- 13½" (R) LE, RE, LEN, REN, LX, RX, LXN, RXN
- 16" (V) LEX, REX, LXX, RXX, LZS, RZS 4 piece construction
- 18" (T) 4 piece construction
- 24" (Y) 4 piece construction
- 32" (X) 4 piece construction

CABINET FINISH

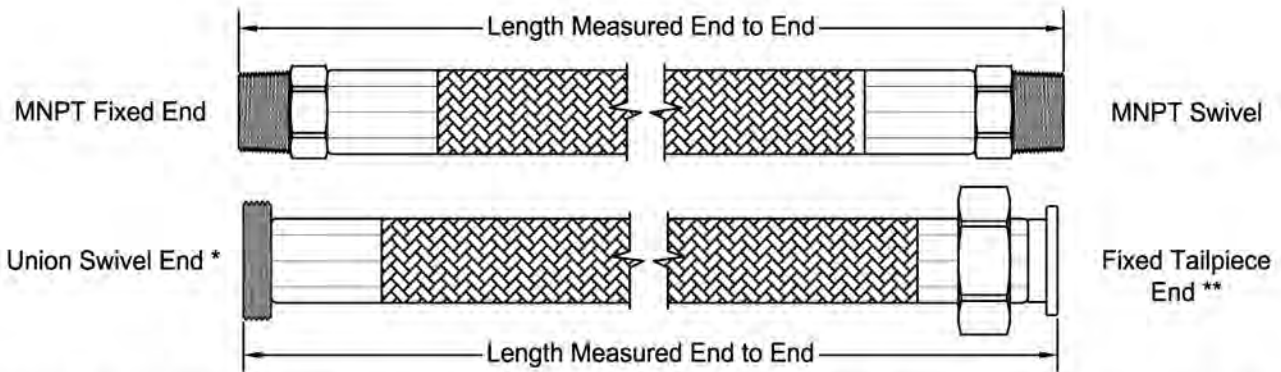
- White (1)
- Gray (3)
- NLA (5)
- Other\*
- NLA (2)
- Dark Gray (4)
- Ivory (6)

Project: _____	Submittal Date: _____	
Location: _____	<b>Product Code</b> VDC4-S-__	<b>Page</b>



Delivering Fresh Air through Better Design

## HSS Series Specifications Stainless Steel Braided Hose



**PRODUCT DESCRIPTION:** The Model HSS is a stainless steel braided hose that is abrasion resistant. The HSS has a CPE inner tube with brass end connections and stainless steel ferrules for the ½" - 1" hose sizes, and an EPDM inner tube with stainless steel ferrules and plated steel end connections for the 1¼" - 2" hose sizes. The flexible hose eases installation and is designed to withstand high pressures and varying temperatures. The standard end connections are MNPT Fixed x MNPT Swivel. Other available end connection options are FNPT Swivel, Union Swivel \*, and Fixed Tailpiece\*\* connections; available for the ½", ¾", and 1" hose sizes. The Model HSS is BUY AMERICAN COMPLIANT.

\* The Swivel Union comes standard with an EPDM O-ring, tailpiece, and union nut which must be specified at the time of order. The swivel union easily converts line connection types and offers line size reductions. The tailpieces are available in FNPT, MNPT, and Sweat ends.

\*\* The Fixed Tailpiece hose end connection is designed to connect directly to union ended coil kit components (AFLB, AFLD, AU, CBV, IBU, or IVY). The tailpiece end eliminates multiple connections.

PRODUCT SPECIFICATIONS	
Tube	CPE (Chlorinated Polyethylene) for ½" - 1" sizes - SAE J1019 EPDM (Ethylene Propylene Diene Monomer) for 1¼" - 2" sizes - SAE 20R1-D1
Reinforcement	304L Stainless Steel braid cover meets UL-94 requirements
Ferrules	Type 304L stainless Steel ½" - 1" I.D. - Brass
End Fittings	1¼" - 2" I.D. - Steel Plated -40°F to 257°F (-40°C to 125°C)
End Connections	NPT Male, NPT Male Swivel, NPT Female Swivel (½" - 1"), Swivel Union * (½" - 1"), Tailpiece ** (½" - 1")
Temperature	Meets UL-94 Requirements
Ratings	Fire Retardant Material (CPE)

Specification information is provided to assist and is given without obligation or warranty. The Company reserves the right to make changes in design, materials, and/or specifications without notice.

Size	Length	Working PSI	Bend Radius	** Cv
½"	12, 18, 24, 30, 36	500 PSI	5"	7
¾"	12, 18, 24, 30, 36	500 PSI	7"	20
1"	12, 18, 24, 30, 36	500 PSI	7"	43
1¼"	12, 18, 24, 30, 36	200 PSI	12"	76
1½"	18, 24, 30, 36	200 PSI	12"	130
2"	18, 24, 30, 36	200 PSI	20"	280

Length is measured End to End on all hose connection types.

\*\* Cv listed in chart above is for a 24" length hose. The Cv is estimated and can vary according to installation.

Delivering Fresh Air through Better Design

## HSS Series Options Stainless Steel Braided Hose

*Fixed MNPT*

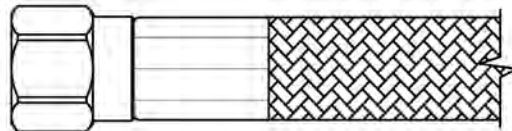
*Swivel MNPT*



### Additional End Connections

#### Swivel FNPT

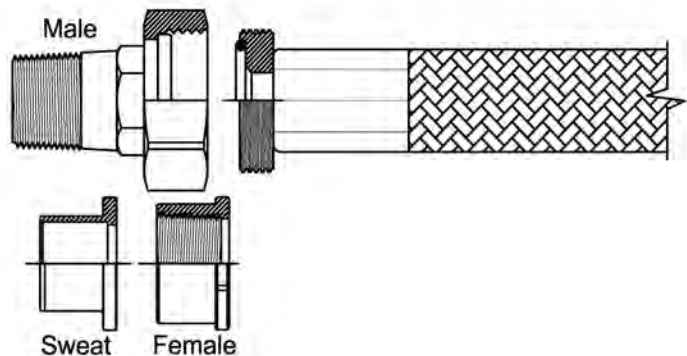
Available in 1/2", 3/4", & 1"



#### Swivel Union

Available in 1/2", 3/4", & 1"

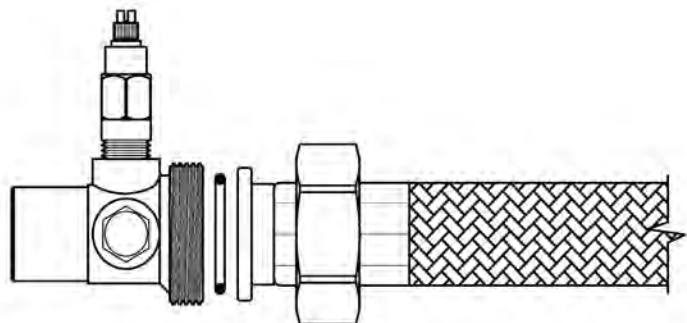
The Swivel Union must have the tailpiece connection size and type specified at time of order. Tailpiece options include FPT, SWT, MPT, and a variety of reductions.



#### Fixed Tailpiece

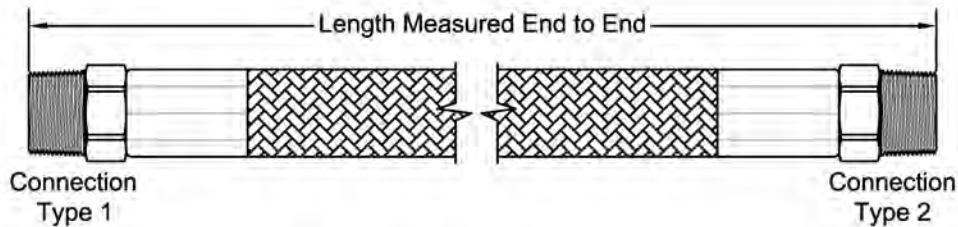
Available in 1/2", 3/4", & 1"

The Fixed Tailpiece connects directly to PRO Hydronic Specialties' union ended products.

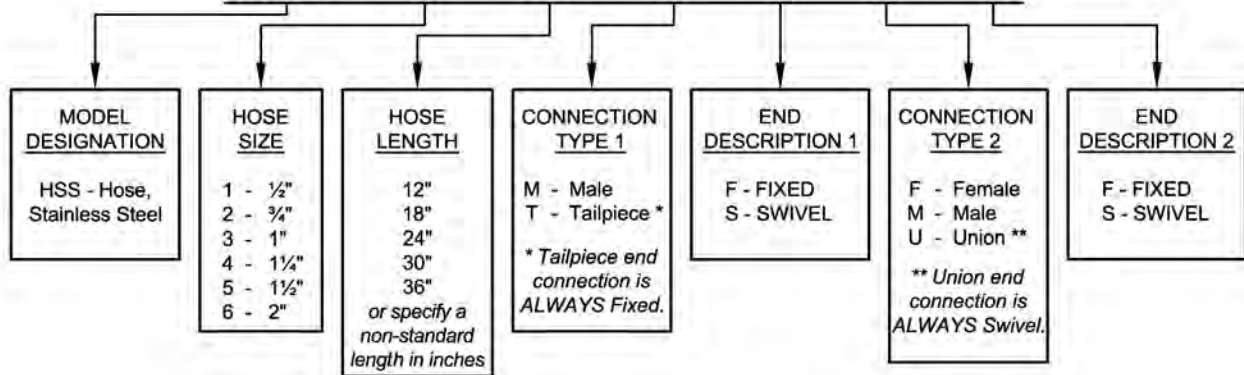


# CARSON SOLUTIONS™

Delivering Fresh Air through Better Design



HSS - X - XX - X - X - X - X



**When ordering, at least one hose end connection must be a swivel.**

JOB NAME:		REPRESENTATIVE:	
ENGINEER:		REF/PO#:	DATE:
CONTRACTOR:		SUBMITTED BY:	DATE:
PART # ( See table above)			QUANTITY